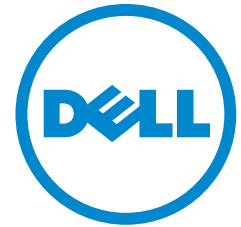


53-1002267-01
18 March 2011



PowerConnect B-FCX Switch

Hardware Installation Guide

Information in this document is subject to change without notice.

© 2011 Dell Inc. All rights reserved.

Reproduction of these materials in any manner whatsoever without the written permission of Dell Inc. is strictly forbidden.

Trademarks used in this text: *Dell*, the *DELL* logo,, *Dell OpenManage* , and *PowerConnect* are trademarks of Dell Inc.; *Microsoft*, *Windows*, and *Windows Server* are either trademarks or registered trademarks of Microsoft Corporation in the United States and/or other countries.

Other trademarks and trade names may be used in this document to refer to either the entities claiming the marks and names or their products. Dell Inc. disclaims any proprietary interest in trademarks and trade names other than its own.

Regulatory Model Codes: FCX624-S, FCX648-S, FCX624-E, FCX624-I, FCX648-E, and FCX648-I

Contents

About This Document

Audience	vii
Supported hardware and software	vii
Document conventions	vii
Text formatting	vii
Command syntax conventions	viii
Notes, cautions, and danger notices	viii
Related publications	viii
Getting technical help or reporting errors	ix
Contacting Dell	ix

Chapter 1

Product Overview

Hardware features	1
Control features	3
Power supplies	13

Chapter 2

Installing the PowerConnect B-FCX Switch

Unpacking the device	15
Package contents	15
General requirements	15
Installation tasks	16
Installation precautions	16
General precautions	17
Lifting precautions	17
Power precautions	17
Preparing the installation site	18
Cabling infrastructure	18
Installation location	18
Installing the device	19
Desktop installation	19
Rack mount installation	20
Connecting devices in a stack	21
Powering on the system	24
Attaching a PC or terminal	25
Wiring map for serial cable	26
Installing and replacing a power supply unit	26
Installing or replacing fan trays on PowerConnect B-FCX624s and PowerConnect B-FCX648s devices	28

Installing or replacing fan trays on PowerConnect B-FCX624 and PowerConnect B-FCX648 devices	28
Installing an optional module on PowerConnect B-FCX624s or PowerConnect B-FCX648s devices	30
Installing an optional module in PowerConnect B-FCX624 and PowerConnect B-FCX648 devices	31

Chapter 3 Checking Network Devices and Testing Connectivity

Assigning permanent passwords	33
Setting passwords	34
Recovering from a lost password	34
Configuring IP addresses	35
Devices running Layer 2 software	35
Devices running Layer 3 software	36
Connecting network devices	39
Connectors.	39
Cable specifications.	39
Connecting to Ethernet or fast Ethernet hubs	39
Connecting to workstations, servers, or routers	40
Connecting a network device to a fiber port	40
Testing connectivity.	43
Pinging an IP address	43
Observing LEDs	43
Tracing a route	45
Troubleshooting network connections.	45
Using Virtual Cable Testing to diagnose a cable	46
Digital optical monitoring	47

Chapter 4 Managing the PowerConnect B-FCX Hardware

Managing temperature settings.	49
Using the temperature sensor	49
Removing MAC address entries	53
Displaying PowerConnect B-FCX CPU usage	53
Hardware maintenance schedule	54
Replacing a copper or fiber optic module	54
Removing a copper or fiber optic module	54
Cabling a fiber optic module	55
Cleaning the fiber optic connectors	55

Chapter 5	Hardware Specifications	
	Hardware specifications	57
	Physical dimensions and weight	57
	Environmental considerations	57
	Cooling system and fans	58
	Pinouts and signalling	61
	Cable specifications	62
	Power cords	63
	AC power supply specifications	63
Chapter 6	Troubleshooting	
	Diagnosing switch indicators	65
	Power and cooling problems	65
	Installation	65
	In-band access	66
Appendix A	Regulatory Statements	
	USA (FCC CFR 47 Part 15 Warning)	67
	Industry Canada statement	67
	Europe and Australia (CISPR 22 Class A Warning)	67
	Japan (VCCI)	67
	Japan power cord	68
	Korea	68
	Russia	68
	Regulatory compliance	69
Appendix B	Cautions and Danger Notices	
	Cautions	71
	Danger notices	73

About This Document

Audience

This document is designed for system administrators with a working knowledge of Layer 2 and Layer 3 switching and routing.

If you are using a Dell Layer 3 Switch, you should be familiar with the following protocols if applicable to your network – IP, RIP, OSPF, BGP, ISIS, IGMP, PIM, DVMRP, and VRRP.

Supported hardware and software

The following hardware platform is supported in this release:

- PowerConnect B-FCX624s
- PowerConnect B-FCX648s
- PowerConnect B-FCX624
- PowerConnect B-FCX648

Document conventions

This section describes text formatting conventions and important notice formats used in this document.

Text formatting

The following narrative-text formatting conventions are used in this guide.

bold text	Identifies command names
	Identifies the names of user-manipulated GUI elements
	Identifies keywords
	Identifies text to enter at the GUI or CLI
<i>italic text</i>	Provides emphasis
	Identifies variables
	Identifies document titles
<code>code text</code>	Identifies CLI output

For readability, command names in the narrative portions of this guide are presented in bold: for example, **show version**. In actual examples, command lettercase is often all lowercase. Otherwise, this manual specifically notes those cases in which a command is case sensitive.

Command syntax conventions

The following conventions apply to the command syntax in this guide.

command and parameters	Commands and parameters are printed in bold.
[]	Optional parameter.
<i>variable</i>	Variables are printed in italics enclosed in angled brackets < >.
...	Repeat the previous element, for example “member[:member...]”
	Choose from one of the parameters.

Notes, cautions, and danger notices

The following note, cautions, and danger statements are used in this manual. They are listed here in order of increasing severity of potential hazards.

NOTE

A note provides a tip, guidance or advice, emphasizes important information, or provides a reference to related information.



CAUTION

A Caution statement alerts you to situations that can be potentially hazardous to you or cause damage to hardware, firmware, software, or data.



DANGER

A Danger statement indicates conditions or situations that can be potentially lethal or extremely hazardous to you. Safety labels are also attached directly to products to warn of these conditions or situations.

Related publications

The following Dell documents supplement the information in this guide:

- *PowerConnect B-FCX Series Configuration Guide* - Provides configuration procedures, including configuration information for enterprise routing protocols.
- *PowerConnect B-MLXe MIB Reference* - Contains the Simple Network Management Protocol (SNMP) Management Information Base (MIB) objects supported on de devices.

NOTE

For the latest edition of these documents, which contain the most up-to-date information, refer to Product Manuals at support.dell.com.

Getting technical help or reporting errors

Dell is committed to ensuring that your investment in our products remains cost-effective. If you need assistance, or find errors in the manuals, contact Dell Technical Support.

Contacting Dell

For customers in the United States, call 800-WWW.DELL (800.999.3355).

NOTE

If you do not have an active Internet connection, you can find contact information on your purchase invoice, packing slip, bill, or Dell product catalog.

Dell provides several online and telephone-based support and service options. Availability varies by country and product, and some services may not be available in your area. To contact Dell for sales, technical support, or customer service issues:

1. Visit <http://support.dell.com>.
2. Click your country or region at the bottom of the page. For a full listing of countries and regions, click **All**.
3. In the Support menu, click **All Support**.

Choose the method of contacting Dell that is convenient for you.

Product Overview

Hardware features

The following hardware platforms are supported by this release of this guide:

- The PowerConnect B-FCX624s stackable switch has twenty 10/100/1000 Mbps RJ45 ports plus four Combo ports, which include four 10/100/1000 Mbps RJ45 ports and four 100/1000 Mbps SFP ports. The switch has two management interfaces, a DB9 serial port (**Console**) on the front panel and an RJ45 port (**Out-of-band Management Interface**) on the rear panel. Two rear-panel power supply receptacles allow for up to two power supply units. Two dedicated 16 GbE CX4 ports on the rear panel allow stacking for up to eight units. The front panel also has a module slot for an optional two-port 10 Gbps XFP module.
- The PowerConnect B-FCX648s stackable switch has forty four 10/100/1000 Mbps RJ45 ports plus four Combo ports, which include four 10/100/1000 Mbps RJ45 ports and four 100/1000 Mbps SFP ports. The switch has two management interfaces, a DB9 serial port (**Console**) on the front panel and an RJ45 port (**Out-of-band Management Interface**) on the rear panel. Two rear-panel power supply receptacles allow for up to two power supply units. Two dedicated 16 Gbps Ethernet CX4 ports on the rear panel allow stacking for up to eight units. The front panel also has a module slot for an optional two-port 10 Gbps Ethernet XFP module.
- The PowerConnect B-FCX624-E switch has twenty four 10/100/1000 Mbps RJ45 ports plus four Combo 1 Gbps ports. The device has two management interfaces on the front panel, a DB9 serial port (**Console**) and an RJ45 port (**Out-of-band Management Interface**). The front panel has a slot for an optional four-port 1GbE SFP module (works as Combo port) or four-port 10 Gbps SFP+ module. On the rear panel a removable fan tray provides a cooling airflow from the front to the back (FtB) of the device. Two rear-panel power supply receptacles accommodate up to two power supply units that also support a front-to-back cooling airflow.
- The PowerConnect B-FCX624-I switch has twenty four 10/100/1000 Mbps RJ45 ports plus four Combo 1 Gbps ports. The device has two management interfaces on the front panel, a serial port (**Console**) and an RJ45 port (**Out-of-band Management Interface**). The front panel has a slot for an optional four-port 1GbE SFP module (works as Combo port) or four-port 10 Gbps SFP+ module. On the rear panel a removable fan tray provides a cooling airflow from the back to the front (BtF) of the device. Two rear-panel power supply receptacles accommodate up to two power supply units that also support a back-to-front cooling airflow.
- The PowerConnect B-FCX648-E switch has forty four 10/100/1000 Mbps RJ45 ports plus four Combo 1 Gbps ports. The device has two management interfaces on the front panel, a serial port (**Console**) and an RJ45 port (**Out-of-band Management Interface**). The front panel has a slot for an optional four-port 1GbE SFP module (works as Combo port) or four-port 10 Gbps SFP+ module. On the rear panel a removable fan tray provides a cooling airflow from the front to the back (FtB) of the device. Two rear-panel power supply receptacles accommodate up to two power supply units that also support a front-to-back cooling airflow.

1 Hardware features

- The PowerConnect B-FCX648-I switch has forty four 10/100/1000 Mbps RJ45 ports plus four Combo 1 Gbps ports. The device has two management interfaces on the front panel, a serial port (**Console**) and an RJ45 port (**Out-of-band Management Interface**). The front panel has a slot for an optional four-port 1GbE SFP module, (works as Combo port) or four-port 10 Gbps SFP+ module. On the rear panel a removable fan tray provides a cooling airflow from the back to the front (BtF) of the device. Two rear-panel power supply receptacles accommodate up to two power supply units that also support a back-to-front cooling airflow.

NOTE

All PowerConnect B-FCX models support Layer 2 and Enterprise Layer 3 protocols (RIP, OSPF, PIM). PowerConnect B-FCX models can be ordered from the factory as -ADV (Advanced Layer 3) models, which adds support for the Layer 3 BGP routing protocol.

The following sections describe the physical characteristics of the PowerConnect B-FCX models. For more details about physical dimensions, power supply specifications, and pinouts, refer to [“Hardware Specifications”](#) on page 57.

The following figures show the front panels of the PowerConnect B-FCX models. For more information about Combo ports, see [“Combination ports”](#) on page 4. For more information about control features in general, see [“Control features”](#) on page 3.

FIGURE 1 PowerConnect B-FCX624s front panel

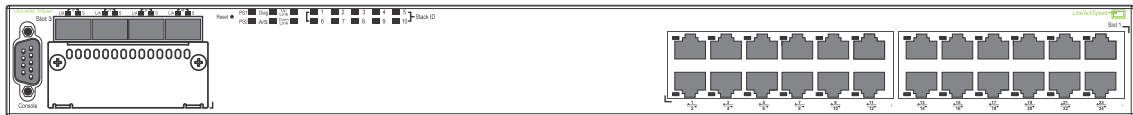


FIGURE 2 PowerConnect B-FCX648s front panel

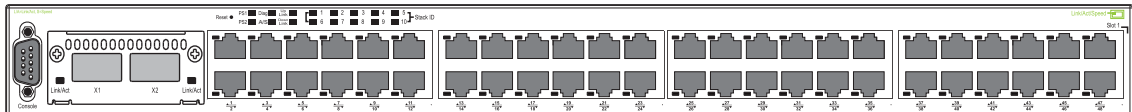


FIGURE 3 PowerConnect B-FCX624s and PowerConnect B-FCX648s rear panel

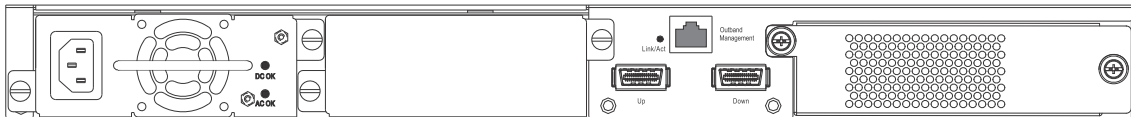


FIGURE 4 PowerConnect B-FCX624-E and PowerConnect B-FCX624-I front panel

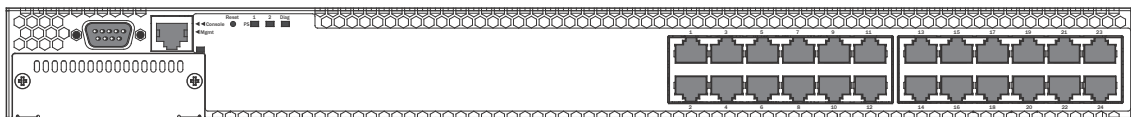


FIGURE 5 PowerConnect B-FCX648-E and PowerConnect B-FCX648-I front panel

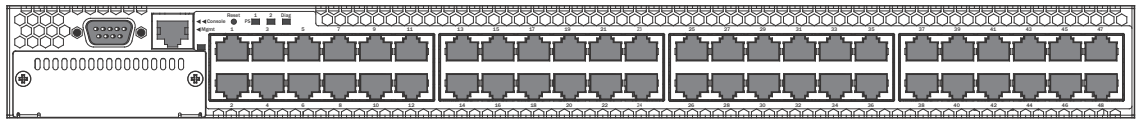
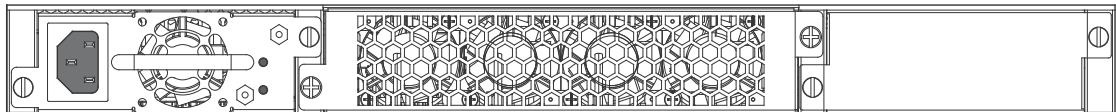


FIGURE 6 PowerConnect B-FCX624-E, PowerConnect B-FCX624-I, PowerConnect B-FCX648-E , PowerConnect B-FCX648-I rear panels



CAUTION

For the PowerConnect B-FCX624-E, PowerConnect B-FCX624-I, PowerConnect B-FCX648-E , and PowerConnect B-FCX648-I devices, be sure that the airflow direction of the power supply unit matches that of the installed resilient quad-fan fan tray. The power supplies and fan trays are clearly labeled with either a green arrow with an “E”, or an orange arrow with an “I” as shown in [Table 1](#).

TABLE 1 Power supply and fan tray labels for PowerConnect B-FCX624-E, PowerConnect B-FCX624-I, PowerConnect B-FCX648-E, and PowerConnect B-FCX648-I devices

Device	Label on required power supply	Label on required fan tray
PowerConnect B-FCX624-E and PowerConnect B-FCX648-E		
PowerConnect B-FCX624-I and PowerConnect B-FCX648-I		

Control features

Each device front panel includes the following control features:

- Serial management interface (the DB9 port labeled **Console**)

1 Hardware features

- Out-of-band RJ45 management Interface

Serial management interface (DB9 Console port)

The serial management interface allows you to configure and manage the device using a third-party terminal emulation application on a directly-connected PC. A straight-through EIA or TIA DB9 serial cable (M or F) ships with the device. The serial management interface (the DB9 **Console** port) is located in the left corner of the front panel.

Out-of-band RJ45 management interface

The out-of-band RJ45 management interface enables you to configure and manage the device using a third-party terminal emulation application on a directly-connected PC.

Network interfaces for PowerConnect B-FCX624s and PowerConnect B-FCX648s

PowerConnect B-FCX devices contain the following interfaces:

- 10/100/1000 Mbps ports with RJ45 copper connectors
- 100/1000 Mbps ports with mini-GBIC slots for SFP MSA-compliant fiber transceivers
- Optional 2-port 10Gbps Ethernet XFP module
- CX4 stacking ports

Network interfaces for PowerConnect B-FCX624 and PowerConnect B-FCX648

PowerConnect B-FCX devices contain the following interfaces:

- 10/100/1000 ports with RJ45 copper connectors
- 100/1000 ports with mini-GBIC slots for MSA-compliant SFP transceivers
- Optional 4-port 1Gbps Ethernet SFP module
- Optional 4-port 10Gbps Ethernet SFP+ module

PowerConnect B-FCX 10/100/1000 BASE-T ports

All PowerConnect B-FCX devices except for the fiber models contain 24 or 48 RJ45 ports that operate at 10 Mbps or 100 Mbps, half or full duplex, or at 1000 Mbps, full duplex. Because all ports support automatic MDI or MDI-X operation, you can use straight-through cables for all network connections to PCs or servers, or to other switches or hubs. In addition, it is ideal and preferred to use straight-through cable for switch-to-switch connections.

Each of these ports supports auto-negotiation, so the optimum transmission mode (half or full duplex), and the data rate (10, 100, or 1000 Mbps) can be selected automatically. If a device connected to one of these ports does not support auto-negotiation, the communication mode of the port can be configured manually.

Combination ports

PowerConnect B-FCX devices contain four combination ports, which are four Small Form Factor Pluggable (SFP) network interfaces (1F~4F) that are shared with four of the RJ45 ports (ports 1~4). In the default configuration, if an SFP transceiver is installed in a slot and has a valid link on its port, the associated RJ45 port is disabled and cannot be used. The switch can also be configured to force the use of a combination RJ45 port or SFP slot, as required.

NOTE

PowerConnect B-FCX624 and PowerConnect B-FCX648 devices do not ship with SFP ports. You must install the optional SFP or SFP+ module for SFP support.

Slot designations

Table 2 lists the slot designations for PowerConnect B-FCX models.

TABLE 2 Stack unit slots for PowerConnect B-FCX stackable devices

Device	Slot 1	Slot 2	Slot 3
PowerConnect B-FCX624s	20 10/100/1000 Mbps ports plus 4 Combo ports (RJ45 ports 1-4, or SFP ports 1F-4F)	Two 16 Gbps uplink ports on rear panel, or two Gbps XFP ports (optional module on front panel)	Two Gbps XFP ports (optional module on front panel)
PowerConnect B-FCX648s	44 20 10/100/1000 Mbps ports plus 4 Combo ports (RJ45 ports 1-4, or SFP ports 1F-4F)	Two 16 Gbps ports on rear panel, or two Gbps XFP ports (optional module on front panel)	Two Gbps XFP ports (optional module on front panel)
PowerConnect B-FCX624 devices with optional four-port 1 Gbps SFP module	20 10/100/1000 Mbps RJ45 ports, plus 4-port 1 Gbps SFP module (optional) combined with the first four 10/100/1000 Mbps RJ45 copper ports (acting as a Combo port).	N/A	Optional four-port 1 Gbps SFP module
PowerConnect B-FCX648 devices with optional four-port 1 Gbps SFP module	40 10/100/1000 Mbps RJ45 ports, plus 4-port 1 Gbps SFP module (optional) combined with the first four 10/100/1000 Mbps RJ45 copper ports (acting as a Combo port).	N/A	Optional four-port 1 Gbps SFP module
PowerConnect B-FCX624 devices with optional four-port 10 Gbps SFP+ module	24 10/100/1000 Mbps RJ45 ports	4-port 10 Gbps SFP+ module (optional) on front panel	N/A
PowerConnect B-FCX648 devices with optional four-port 10 Gbps SFP+ module	44 10/100/1000 Mbps ports on front panel	4-port 10 Gbps SFP+ module (optional) on front panel	N/A

1 Hardware features

SFP interfaces

Table 3 describes the network interfaces supported on PowerConnect B-FCX devices.

TABLE 3 SFP network interfaces

Interface	Show Media Description	Description
1000Base-BX-D	M-GBXD	1000Base-BXD SFP optic SMF, transmits at 1490nm and receives at 1310nm, LC connector, single strand SMF fiber. This optic should only be connected to an E1MG-BXU at the far end.
1000Base-BX-U	M-GBXU	1000Base-BX-U SFP optic SMF, transmits at 1310nm and receives at 1490nm, LC connector, single strand SMF fiber. This optic should only be connected to an E1MG-BXD at the far end.
1000Base-LHA	M-LHA	1000Base-LHA SFP optic, SMF, LC connector, Optical Monitoring Capable
1000Base-LX	M-LX	1000Base-LX SFP optic, SMF, LC connector, Optical Monitoring Capable
1000Base-SX	M-SX	1000Base-SX SFP optic, MMF, LC connector, Optical Monitoring Capable
100Base-FX	M-FX	100Base-FX SFP optic MMF 8 Pack, LC connector, Optical Monitoring Capable
100Base-FX-IR	M-FX_IR	100Base-FX-IR SFP optic for SMF with LC connector, Optical Monitoring Capable. For distances up to 15Km.
100Base-FX-LR	M-FX-LR	100Base-FX-LRSFP optic for SMF with LC connector, Optical Monitoring Capable. For distances up to 40Km.

Optional two-port 10 Gbps XFP uplink module

The PowerConnect B-FCX624s and PowerConnect B-FCX648s devices include a slot on the front panel for a two-port 10 Gbps XFP uplink module. This module operates at 10 Gbps full duplex mode.



CAUTION

The optional 10Gbps XFP module is not hot-swappable.

FIGURE 7 Two-port 10 Gbps XFP module

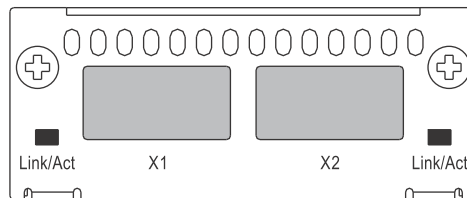


TABLE 4 10 Gbps XFP module port status LEDs

LED	Condition	Status
Link or Act LED (Link or Activity)	On or flashing Green	Port has a valid link at 10 Gbps. Flashing indicates activity.
	Off	The link is down.

Optional Four-port 1 Gbps SFP and 10 Gbps SFP+ modules

The PowerConnect B-FCX624 and PowerConnect B-FCX648 devices include a slot on the front panel for a four-port 1 Gbps SFP module, or a four-port 10 Gbps SFP+ module. The 1 Gbps SFP module operates at 1 Gbps full duplex, and the 10 Gbps SFP+ module operates at 10 Gbps full duplex.

PowerConnect B-FCX624 and PowerConnect B-FCX648 devices can be used in an IronStack by installing the optional 10 Gbps SFP+ module, and connecting devices using standard duplex LC cables. These devices cannot be combined in a stack with non-PowerConnect B-FCX devices. For detailed information about how to configure PowerConnect B-FCX devices in an IronStack topology, see the *PowerConnect B-FCX Series Configuration Guide*.

NOTE

The 1 Gbps SFP and 10 Gbps SFP+ modules are not hot-swappable.

FIGURE 8 Four-port 1 Gbps SFP module

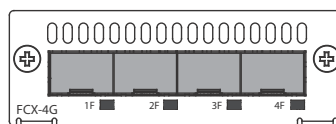


TABLE 5 Four-port 1 Gbps SFP module status LEDs

LED	Condition	Status
Link or Act LED (Link or Activity)	On or flashing Green	Port has a valid link at 1 Gbps. Flashing indicates activity.
	Off	The link is down.

FIGURE 9 Four-port 10 Gbps SFP+ module

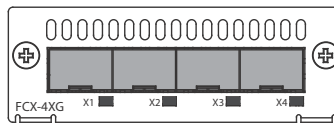


TABLE 6 Four-port 10 Gbps SFP+ module status LEDs

LED	Condition	Status
Link or Act LED (Link or Activity)	On or flashing	Green
	Off	
		Port has a valid link at 10 Gbps. Flashing indicates activity.
		The link is down.

NOTE

The two left ports on the Four-port 10Gbps SFP+ module do not pass regular Ethernet traffic by default. The **stack disable** CLI command must be entered at the global level and the **stack disable** CLI command must be configured on these two ports in order for them to pass regular traffic.

16/10 Gbps Ethernet CX4 stacking ports

The PowerConnect B-FCX624s and PowerConnect B-FCX648s devices include two 16/10 Gbps Ethernet CX4 ports on the rear panel (the stacking ports). The device can perform data transmission directly through copper links of up to 3 meters.

The Up Link and Down Link LEDs on the front panel indicate operational status. If the Up Link or Down Link LED is on, the port is connected. If the Up Link or Down Link LED is off, no connection exists, or the link is down.

Cable specifications for CX4 stacking ports

The following cable specifications apply to the CX4 stacking ports:

- Support for 802.3ak or 10 Gbps Ethernet CX4 standard and 16 Gbps inter-unit stacking (up to 8 units in a stack)
- Support for cables up to 3 meters in length
- Requires latch-style receptacle or SFF-8470 plug

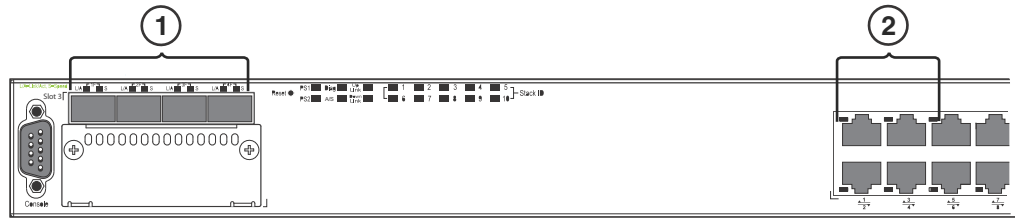
NOTE

PowerConnect B-FCX624-E, PowerConnect B-FCX624-I, PowerConnect B-FCX648-E, and PowerConnect B-FCX648-I devices can be added to a stack using the first two ports on a four-port 10 Gbps SFP+ module (optional) using standard duplex LC cables.

Port, system, and power status LEDs for PowerConnect B-FCX624s and PowerConnect B-FCX648s

PowerConnect B-FCX switches include a display panel for key system and port indicators that simplifies installation and network troubleshooting. The LEDs, which are located on the front panel for easy viewing, are shown below and described in the following tables.

FIGURE 10 Port status LEDs

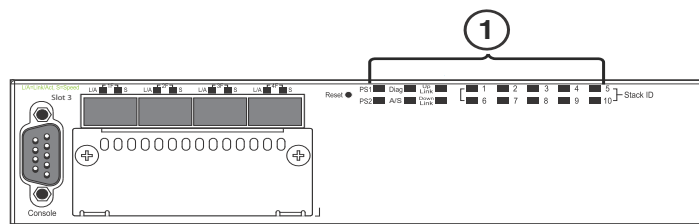


1, 2 Port status LEDs

TABLE 7 Port status LEDs

LED	Condition	Status
Ethernet (1~24/48) Link or Activity or Speed	On/Flashing Green	The port has established a valid link at 1000 Mbps. Flashing indicates the port is transmitting and receiving user packets.
	On/Flashing Amber	The port has established a valid link at 10 or 100 Mbps. Flashing indicates the port is transmitting and receiving user packets.
	Off	A link is not established with a remote port.
SFP (1F~4F) Link or Activity	On/Flashing Green	The SFP port has established a valid link. Flashing indicates the port is transmitting and receiving user packets.
	Off	A link is not established with a remote port.
SFP (1F~4F) Speed	On Green	The SFP port is operating at 1000 Mbps.
	On Amber	The SFP port is operating at 100 Mbps.
	Off	A link is not established with a remote port.

FIGURE 11 System status LEDs



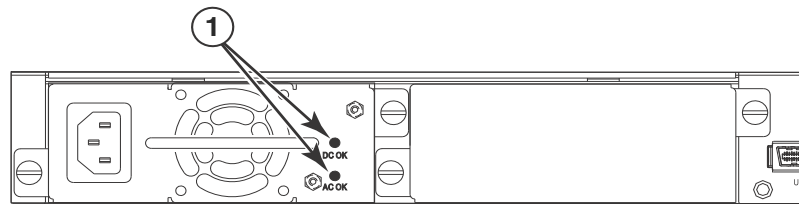
1 System status LEDs

1 Hardware features

TABLE 8 System status LEDs

LED	Condition	Status
PS1 PS2 (Power Supply Status)	Green	Power supply is operating normally.
	Amber	Power supply fault.
	Off	Power off or failure.
Diag (Diagnostic)	Flashing Green	System self-diagnostic test in progress.
	Green	System self-diagnostic test successfully completed.
	Amber	System self-diagnostic test has detected a fault. (Blower, thermal or any interface fault.)
A or S (Active or Standby)	Green	The device is the Active controller. If this LED is flashing green, the system is initializing.
	Amber	Indicates the device is the Standby controller.
	Off	Device is operating as a stack member, or is in standalone mode.
Up Link or Down Link (Stacking uplink or downlink port status)	Green	Uplink is operating normally.
	Off	Uplink has failed or there is no link.
Stack ID (1-8)	Green	Indicates the device stack ID.

FIGURE 12 Power status LEDs



1 Power status LEDs

TABLE 9 Power status LEDs

LED	Condition	Status
DC OK	Green	DC output ok
	Red	DC output fail
AC OK	Green	AC input ok
	Off	AC input fail

NOTE

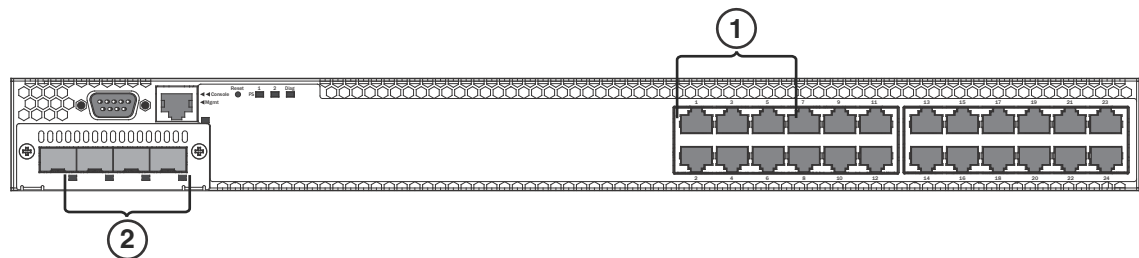
Both “AC OK” and “DC OK” LEDs must be green for the device to function normally.

TABLE 10 Switch status for two installed power supply units

State	LED	PSU1	PSU2	Switch Status	Load Sharing
Four Green PSU LEDs	AC OK	Green	Green	Running	Yes
	DC OK	Green	Green		
Single Red ‘DC OK’ LED	AC OK	Green	Green	Running	No
	DC OK	Green	Red		
Both ‘DC OK’ LEDs Red	AC OK	Green	Green	Failure	No
	DC OK	Red	Red		
One PSU with both ‘AC OK’ ‘DC OK’ LEDs Off	AC OK	Green	Off	Running	No
	DC OK	Green	Off		
‘DC OK’ LEDs Red and Off	AC OK	Green	Off	Failure	No
	DC OK	Red	Off		
All ‘AC OK’ LEDs Off	AC OK	Off	Off	Power Off or Failure	No
	DC OK	Off	Off		

Port, system, and power status LEDs for PowerConnect B-FCX624 and PowerConnect B-FCX648

PowerConnect B-FCX switches include a display panel for key system and port indicators that simplifies installation and network troubleshooting. The LEDs, which are located on the front panel for easy viewing, are shown below and described in the following tables.

FIGURE 13 Port status LEDs

- 1 Port status LEDs 2 SFP or SFP+ port status LEDs

TABLE 11 Port status LEDs

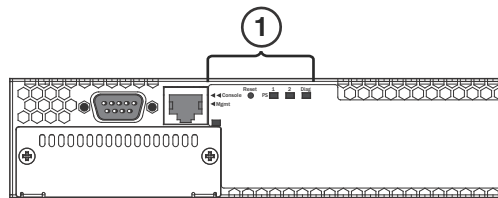
LED	Condition	Status
Ethernet (1~24/48) Link or Activity or Speed	On/Flashing Green	The port has established a valid link at 10/100/1000 Mbps. Flashing indicates the port is transmitting and receiving user packets.
	Off	A link is not established with a remote port.

1 Hardware features

TABLE 11 Port status LEDs (Continued)

LED	Condition	Status
SFP (1F~4F) Link or Activity	On/Flashing Green	The SFP port has established a valid 100/1000 Mbps link. Flashing indicates the port is transmitting and receiving user packets.
	Off	A link is not established with a remote port.
SFP+ (1F~4F) Link or Activity	On/Flashing Green	The SFP+ port has established a valid 10 Gbps link. Flashing indicates the port is transmitting and receiving user packets.
	Off	A link is not established with a remote port.

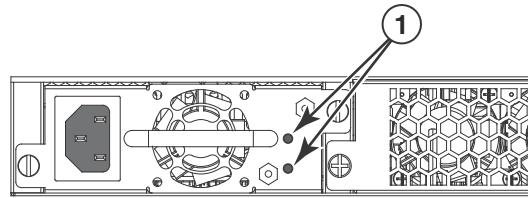
FIGURE 14 System status LEDs



1 System status LEDs

TABLE 12 System status LEDs

LED	Condition	Status
PS1 PS2 (Power Supply Status)	Green	Power supply is operating normally. It is installed properly and the power cord is attached to a power source.
	Amber	Power supply fault. The power supply may not be installed properly.
	Off	Power off or failure.
Diag (Diagnostic)	Flashing Green	System self-diagnostic test in progress.
	Green	System self-diagnostic test successfully completed.
	Amber	System self-diagnostic test has detected a fault. (Blower, thermal or any interface fault.)
Out-of-band Management Link or Activity	On/Flashing Green	The port has established a valid link at 10/100/1000 Mbps. Flashing indicates the port is transmitting and receiving user packets.
	Off	A link is not established with a remote port.

FIGURE 15 Power status LEDs

1 Power status LEDs

TABLE 13 Power status LEDs

LED	Condition	Status
DC OK	Green	DC output ok
	Red	DC output fail
AC OK	Green	AC input ok
	Off	AC input fail

NOTE

Both “AC OK” and “DC OK” LEDs must be green for the device to function normally.

TABLE 14 Switch status for two installed power supply units

State	LED	PSU1	PSU2	Switch Status	Redundancy
Four Green PSU LEDs	AC OK	Green	Green	Running	Yes
	DC OK	Green	Green		
Single Red ‘DC OK’ LED	AC OK	Green	Green	Running	No
	DC OK	Green	Red		
Both ‘DC OK’ LEDs Red	AC OK	Green	Green	Failure	No
	DC OK	Red	Red		
One PSU with both ‘AC OK’ ‘DC OK’ LEDs Off	AC OK	Green	Off	Running	No
	DC OK	Green	Off		
‘DC OK’ LEDs Red and Off	AC OK	Green	Off	Failure	No
	DC OK	Red	Off		
All ‘AC OK’ LEDs Off	AC OK	Off	Off	Power Off or Failure	No
	DC OK	Off	Off		

Power supplies

The device has two power receptacles on the rear panel. Each device ships with one power supply installed. PowerConnect B-FCX624s, PowerConnect B-FCX648s, PowerConnect B-FCX624, and PowerConnect B-FCX648 devices use a 210W PSU.

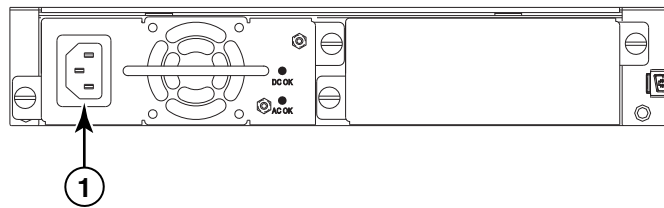
1 Hardware features

Each power supply has one standard power receptacle for the AC power cable, and AC and DC status LEDs for easy monitoring and troubleshooting.

A secondary power supply can be installed to provide backup power in case of a failure and for load-balancing when both power supplies are operational. Load-balancing gives the power supplies a longer life span. 210W PSU is hot-swappable.

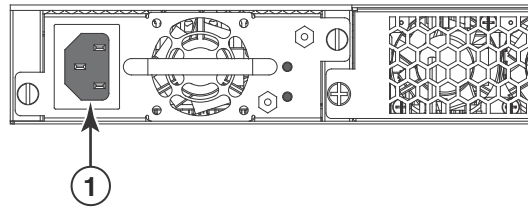
For instructions on installing and replacing a power supply refer to [“Installing and replacing a power supply unit”](#) on page 26. For information on LED status refer to [Table 9](#).

FIGURE 16 PowerConnect B-FCX624s and PowerConnect B-FCX648s AC power supply receptacle



1 AC power receptacle

FIGURE 17 PowerConnect B-FCX624 and PowerConnect B-FCX648 AC power supply receptacle



1 AC power receptacle

Power supply unit operation

When only one PSU is installed, both "AC OK" and "DC OK" LEDs on the installed PSU must be green for the PowerConnect B-FCX device to function normally.

When two PSUs are installed, both "AC OK" and "DC OK" LEDs for one of the installed PSUs must be green for the PowerConnect B-FCX device to function normally.

Installing the PowerConnect B-FCX Switch

**CAUTION**

The procedures in this manual are intended for qualified service personnel.

**CAUTION**

Before beginning the installation, see the precautions in [“Power precautions”](#) on page 17.

Unpacking the device

PowerConnect B-FCX devices ship with all of the items listed below. Verify the contents of your shipping container. If any items are missing, please contact the place of purchase.

Package contents

The following items are included in your shipping carton:

- PowerConnect B-FCX device
- 115V AC PDU power cords(C13- C14) (for AC sourced devices)
- PowerConnect B-FCXs devices ship with a .5M CX-4 stacking cable
- Rack mount kit
- Document Kit
- Rubber feet Kt
- Retainer nuts and screws
- Warranty card
- A straight-through EIA or TIA DB-9 serial cable (F/F). If you prefer to build your own cable, see the pinout information in [“Attaching a PC or terminal”](#) on page 25.

General requirements

To manage the system, you need a management station, such as a PC running a terminal emulation application. Connect the management station to the Console serial port on the switch.

Use the serial connection to perform basic configuration tasks, including assigning an IP address and network mask to the system. This information is required to manage the system using the Web management interface or Brocade Network Advisor or using the CLI through Telnet.

Installation tasks

Follow the steps listed in [Table 15](#) to install your device. Details for each of these steps are provided on the pages indicated.

TABLE 15 Installation tasks

Task Number	Task	Where to Find More Information
1	Ensure that the physical environment that will host the device has the proper cabling and ventilation.	“Preparing the installation site” on page 18
2	Install any required optional modules into the switch.	“Powering on the system” on page 24
3	Install the Dell device on a desktop, in an equipment rack (use provided retainer clips and screws).	“Installing the device” on page 19
4	Once the device is physically installed, plug the device into a nearby power source that adheres to the regulatory requirements outlined in this manual.	“Powering on the system” on page 24
5	Attach a terminal or PC to the Dell device. This will enable you to configure the device through the <i>Command Line Interface (CLI)</i> .	“Attaching a PC or terminal” on page 25
6	No default password is assigned to the CLI. For additional access security, assign a password.	“Assigning permanent passwords” on page 33
7	Before attaching equipment to the device, you need to configure an interface IP address to the subnet on which it will be located. Initial IP address configuration is performed using the CLI with a direct serial connection. Subsequent IP address configuration can be performed using the Web management interface.	“Configuring IP addresses” on page 35
8	Once you power on the device and assign IP addresses, the system is ready to accept network equipment.	“Configuring IP parameters for devices running Layer 3 software” on page 37
9	Test IP connectivity to other devices by pinging them and tracing routes.	“Testing connectivity” on page 43
10	Continue configuring the device using the CLI or the Web management interface. You also can use Brocade Network Advisor to manage the device.	<i>PowerConnect B-FCX Series Configuration Guide</i>
11	Secure access to the device.	<i>PowerConnect B-FCX Series Configuration Guide</i>

Installation precautions

Follow all precautions when installing a Dell device.

General precautions

**CAUTION**

All fiber-optic interfaces use Class 1 lasers.

**CAUTION**

Do not install the device in an environment where the operating ambient temperature might exceed 40^o C (104^o F).

**CAUTION**

Make sure the air flow around the front and sides of the device is not restricted.

**CAUTION**

Never leave tools inside the device.

Lifting precautions

**CAUTION**

Make sure the rack or cabinet housing the device is adequately secured to prevent it from becoming unstable or falling over.

Power precautions

**CAUTION**

Use a separate branch circuit for each AC power cord, which provides redundancy in case one of the circuits fails.

**CAUTION**

To avoid high voltage shock, do not open the device while the power is on.



CAUTION

Ensure that the device does not overload the power circuits, wiring, and over-current protection. To determine the possibility of overloading the supply circuits, add the ampere (amp) ratings of all devices installed on the same circuit as the device. Compare this total with the rating limit for the circuit. The maximum ampere ratings are usually printed on the devices near the input power connectors.



CAUTION

Disconnect the power cord from all power sources to completely remove power from the device.



CAUTION

If the installation requires a different power cord than the one supplied with the device, make sure you use a power cord displaying the mark of the safety agency that defines the regulations for power cords in your country. The mark is your assurance that the power cord can be used safely with the device.

Preparing the installation site

Cabling infrastructure

Ensure that the proper cabling is installed at the site. Refer to [“Hardware Specifications”](#) on page 57 for a summary of supported cabling types and their specifications.

Installation location

Before installing the device, plan its location and orientation relative to other devices and equipment. Switches can be mounted in a standard 19-inch equipment rack that meets EIA-310D standards, or on a flat surface. Be sure to follow the guidelines below when choosing a location.

The site should meet the following requirements:

- Maintain temperatures within 0 to 40°C (32 to 104°F) and humidity levels within 5% to 95%, non-condensing.
- Allow a minimum of 3 in. of space between the sides and the back of the device and walls or other obstructions for proper air flow.
- Allow at least 3 in. of space at the front and back of the device for the twisted-pair, fiber-optic, and power cabling.
- Be accessible for installing, cabling and maintaining the devices.
- Allow the status LEDs to be clearly visible.
- Allow for twisted-pair cable to be always routed away from power lines, fluorescent lighting fixtures and other sources of electrical interference, such as radios and transmitters.

- Allow for the unit to be connected to a separate grounded power outlet that provides 110 to 240 VAC, 50 to 60 Hz, is within 2 m (6.6 feet) of each device and is powered from an independent circuit breaker. As with any equipment, a filter or surge suppressor is recommended.

Installing the device

You can install Dell devices on a desktop or in an equipment rack, use appropriate retainer nuts and screws provided.

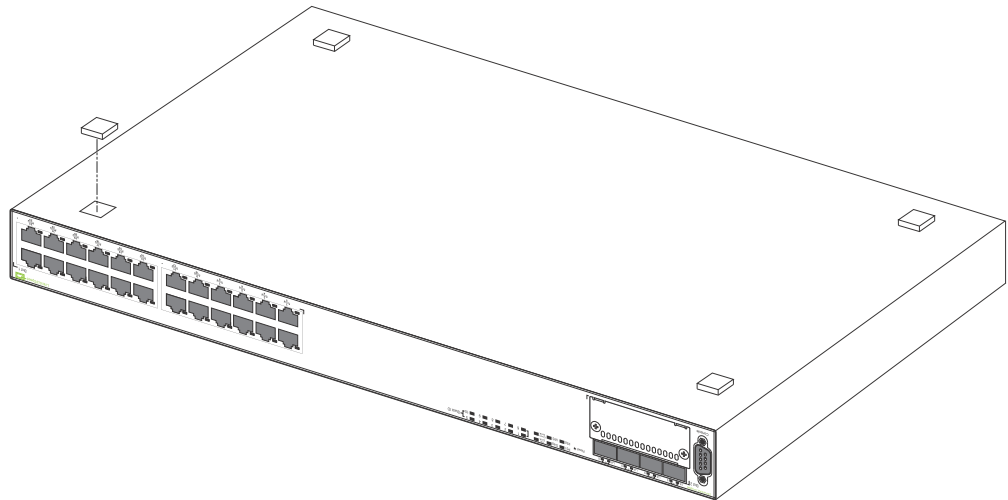


CAUTION

Make sure the rack or cabinet housing the device is adequately secured to prevent it from becoming unstable or falling over.

Desktop installation

FIGURE 18 Attaching the adhesive feet



1. Attach the four adhesive feet to the bottom of the first switch.
2. Set the device on a flat desktop, table, or shelf near an AC power source. Make sure that adequate ventilation is provided for the system. A 3 inch clearance is recommended on each side.
3. If installing a single switch only, refer to [“Powering on the system”](#) on page 24.
4. If installing multiple switches, attach the adhesive feet to each one. Place each device squarely on top of the one below, in any order.

Rack mount installation

NOTE

You need a #2 Phillips screwdriver for installation.

NOTE

For additional support for the stack of switches, refer to the Dell 1U shelf, Dell part number-G118R, which is ordered separately.

Before mounting the switch in a rack, pay particular attention to the following factors:

- Temperature: Since the temperature within a rack assembly may be higher than the ambient room temperature, check that the rack-environment temperature is within the specified operating temperature range. (Refer to “[Operating Environment](#)” on page 57.)
- Mechanical loading: Do not place any equipment on top of a rack-mounted unit.
- Circuit overloading: Be sure that the supply circuit to the rack assembly is not overloaded.
- Grounding: Rack-mounted equipment should be properly grounded. Particular attention should be given to supply connections other than direct connections to the mains.

Use the following steps to mount devices in rack.

1. Remove the rack mount kit from the shipping carton. The kit contains two L-shaped mounting brackets and mounting screws.
2. Attach the mounting brackets to the sides of the device as illustrated in [Figure 19](#) and [Figure 20](#).

NOTE

PowerConnect B-FCX624 and PowerConnect B-FCX648 brackets are mounted using three screws, as shown in [Figure 20](#).

FIGURE 19 Attaching the Brackets for PowerConnect B-FCX624s and PowerConnect B-FCX648s

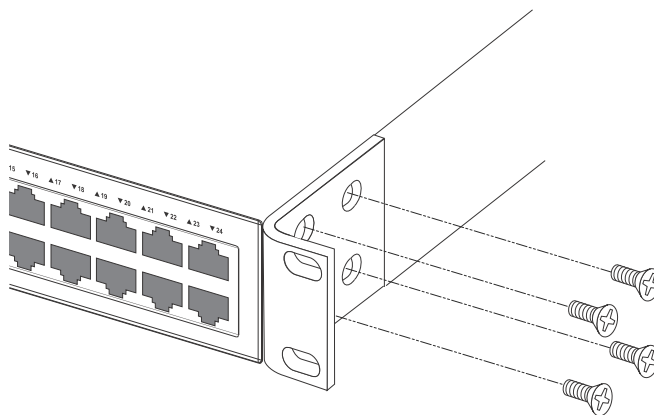
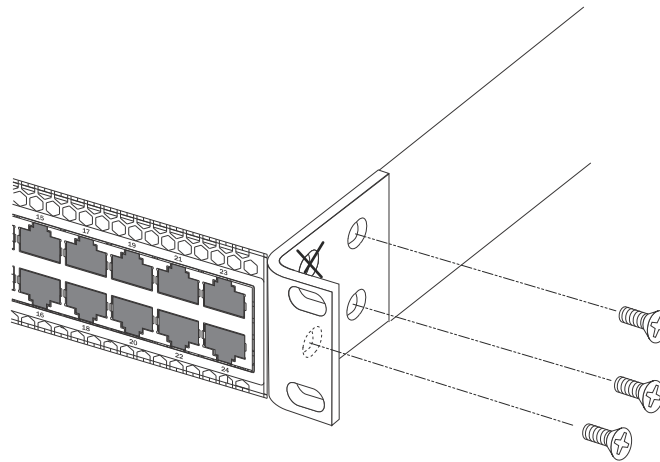
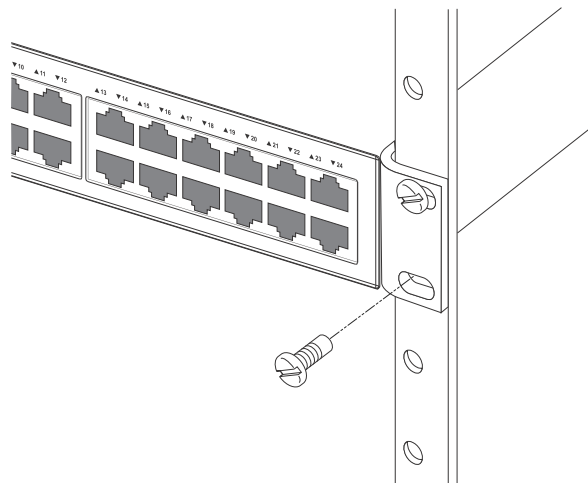


FIGURE 20 Attaching the brackets for PowerConnect B-FCX624 and PowerConnect B-FCX648



3. Install retainer nuts into the non-threaded holes. And use 10-32 screws to fasten brackets into the rack. Attach the device in the rack as illustrated in [Figure 21](#).

FIGURE 21 Installing the device in a rack



4. If installing a single switch only, proceed to [“Powering on the system”](#) on page 24.
5. If installing multiple switches, mount them in the rack, one below the other, in any order.

Connecting devices in a stack

PowerConnect B-FCX624s and PowerConnect B-FCX648s devices

[Figure 5](#) shows how the stack cables are connected between switches in a stack. The connection is based on 10G/16G Gigabit Ethernet, using CX4 cables. PowerConnect B-FCX devices support linear and ring stack topologies, and can also operate as standalone devices.

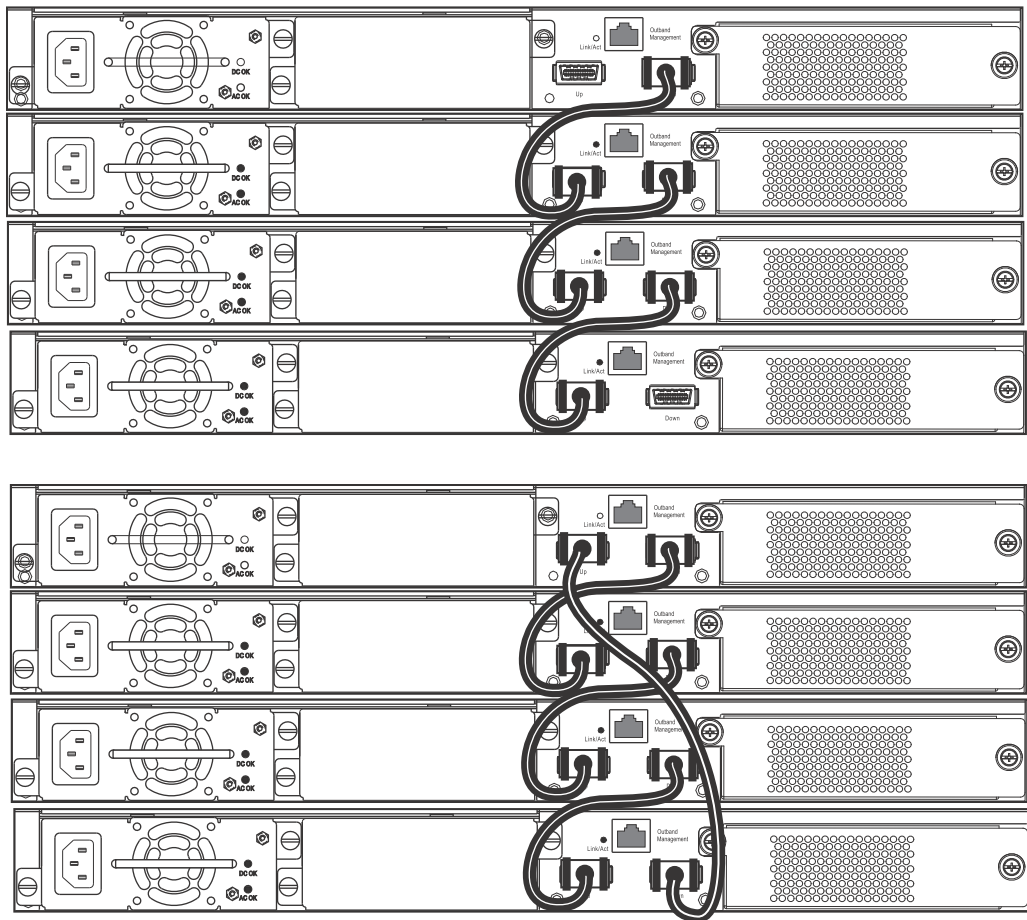
2 Preparing the installation site

In a linear stack topology there is a single stack cable connection between each switch that carries two-way communications across the stack. In ring stack topology, an extra cable is connected between the top and bottom switches forming a “ring” or “closed-loop.” The closed-loop cable provides a redundant path for the stack link, so if one link fails, stack communications can be maintained. [Figure 5](#) illustrates a ring-topology stacking configuration.

You can form a stack containing up to eight PowerConnect B-FCX units. To connect switches in a stack, perform the following steps:

1. Plug one end of a stack cable into one of the CX4 stacking ports of the top unit.
2. Plug the other end of the stack cable into one of the stacking ports of the next unit.
3. Repeat steps 1 and 2 for each unit in the stack. Form a simple chain starting with a stacking port on the top unit and ending at a stacking port on the bottom unit (stacking up to eight units).
4. (Optional) To form a ring stack topology, plug one end of a stack cable into the remaining stacking port on the bottom unit and the other end into the remaining stacking port on the top unit.

FIGURE 22 Connecting switches in a linear (top) and ring (bottom) topology stack



- One device in the stack will operate as the Active Controller, one will operate as Standby Controller, with the rest of the units operating as stack members. For information about how to configure your stack, see the *PowerConnect B-FCX Series Configuration Guide*.

PowerConnect B-FCX624 and PowerConnect B-FCX648 devices

Figure 23 and Figure 24 show how stacking cables are connected between PowerConnect B-FCX624 and PowerConnect B-FCX648 devices in a stack. The connection is based on 10 Gbps SFP+ using LC-LC MM Fiber cables. These devices support linear and ring stack topologies with the optional SFP+ modules installed, and can also operate in standalone mode.

NOTE

PowerConnect B-FCX624 and PowerConnect B-FCX648 devices must have a 4-port 10 Gbps SFP+ module (optional) installed to operate in a stack.

Figure 25 shows a stack containing PowerConnect B-FCX624, PowerConnect B-FCX648 devices and another PowerConnect B-FCX device. Using PowerConnect B-FCX624 and PowerConnect B-FCX648 devices in this type of mixed stack requires you to reconfigure the default stacking ports on the other PowerConnect B-FCX device. For more information, see the *FastIron Configuration Guide*.

You can form a stack containing up to eight PowerConnect B-FCX624 and PowerConnect B-FCX648 units. To connect switches in a stack, perform the following steps:

- Plug one end of an LC-LC MM Fiber cable into one of the SFP+ stacking ports of the top unit.
- Plug the other end of the cable into one of the stacking ports of the next unit.
- Repeat steps 1 and 2 for each unit in the stack. Form a simple chain starting with a stacking port on the top unit and ending at a stacking port on the bottom unit (stacking up to eight units). See Figure 23.
- (Optional) To form a ring stack topology, plug one end of an LC-LC MM Fiber cable into the remaining stacking port on the bottom unit and the other end into the remaining stacking port on the top unit. See Figure 24.

FIGURE 23 Connecting PowerConnect B-FCX624-E and PowerConnect B-FCX648-E devices in a linear stack topology

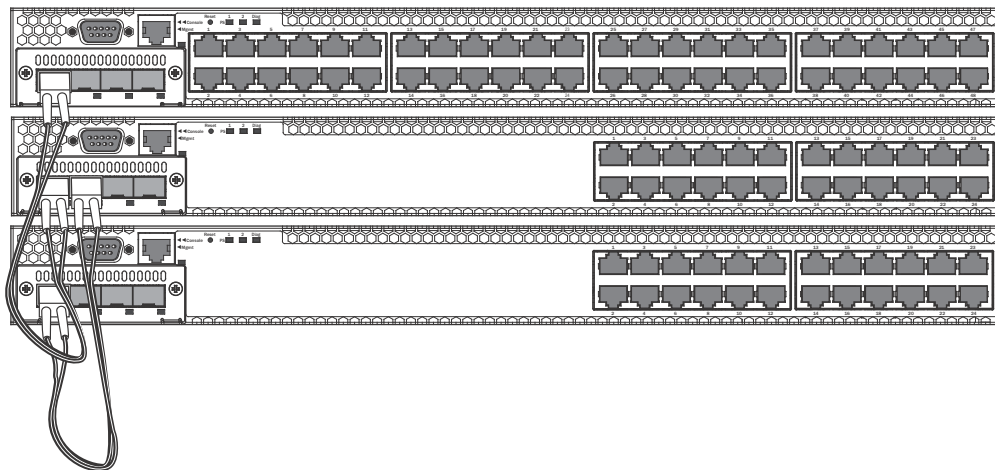


FIGURE 24 Connecting PowerConnect B-FCX624-E and PowerConnect B-FCX648-E devices in a ring stack topology

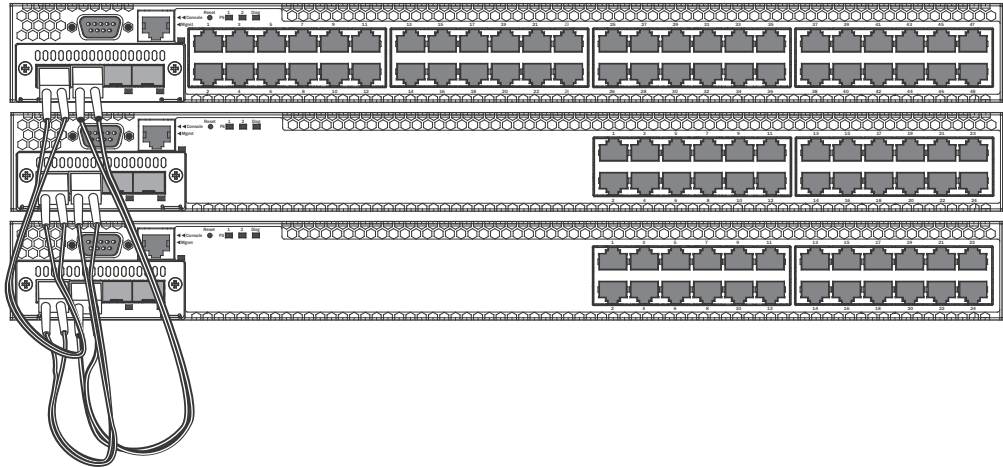
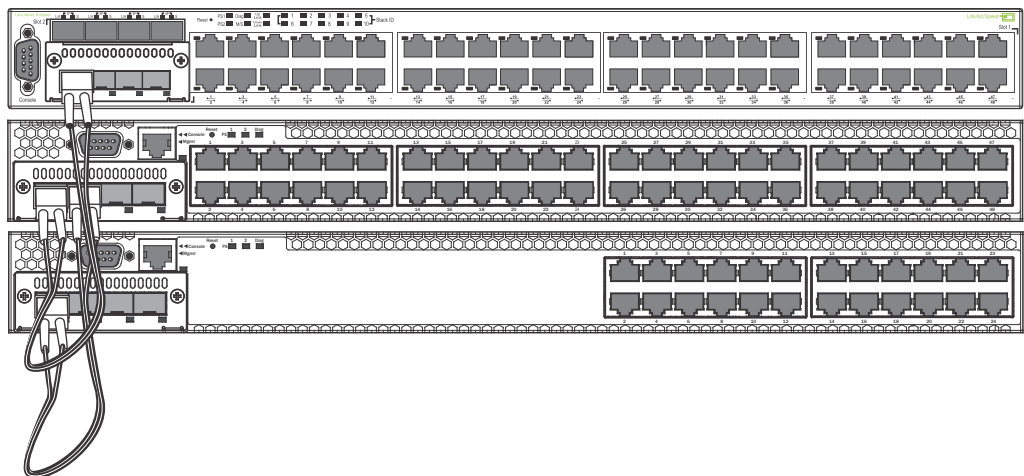


FIGURE 25 Connecting PowerConnect B-FCX624-E and PowerConnect B-FCX648-E devices in a mixed stack with an PowerConnect B-FCX624s device



Powering on the system

After you complete the physical installation, you can power on the system.

1. Remove the power cable from the shipping package.
2. Attach the AC power cable to the AC connector on the rear panel.
3. Insert the power cable plug into a 115V, 120V, or 240V outlet.

NOTE

To turn the system off, simply unplug the power cable or cables.

NOTE

The socket should be installed near the equipment and should be easily accessible.

NOTE

If the outlet is not rated 115/120V, stop and get the appropriate cable for the outlet.

Attaching a PC or terminal

To assign an IP address, you must have access to the **Command Line Interface (CLI)**. The CLI is a text-based interface that can be accessed through a direct serial connection to the device and through Telnet connections. The CLI is described in detail in the *PowerConnect B-FCX Series Configuration Guide*.

Access the CLI by attaching a serial cable to the Console port. After you assign an IP address, you can access the system through Telnet, the Web management interface, or Brocade Network Advisor.

Use the following steps to attach a management station to the serial port.

1. Connect a PC or terminal to the serial port of the system using a straight-through cable. The serial port has a male DB-9 connector. See [Figure 26](#).

NOTE

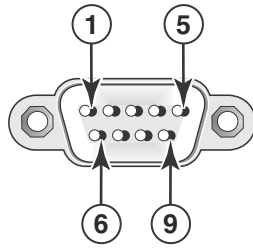
You need to run a terminal emulation program on the PC.

2. Launch the terminal emulation program and set the following session parameters:
 - Baud: 9600 bps
 - Data bits: 8
 - Parity: None
 - Stop bits: 1
 - Flow control: None

The EIA or TIA 232 serial communication port serves as a connection point for management by a PC or SNMP workstation. Dell devices come with a standard male DB-9 connector, shown in [Figure 26](#).

2 Installing and replacing a power supply unit

FIGURE 26 Serial Port (DB-9 DTE) Pin-Out



Most PC serial ports also require a cable with a female DB-9 connector. Terminal connections will vary, requiring either a DB-9 or DB-25 connector, male or female. Serial cable options between a Dell device and a PC or terminal are shown in [Table 16](#).

Wiring map for serial cable

TABLE 16 Serial cable wiring

Switch 9-Pin Serial Port	Null Modem	PC 9-Pin DTE Port
2 TXD (transmit data)	----->	2 RXD (receive data)
3 RXD (receive data)	<-----	3 TXD (transmit data)
5 SGND (signal ground)	<----->	5 SGND (signal ground)
No other pins are used.		

NOTE

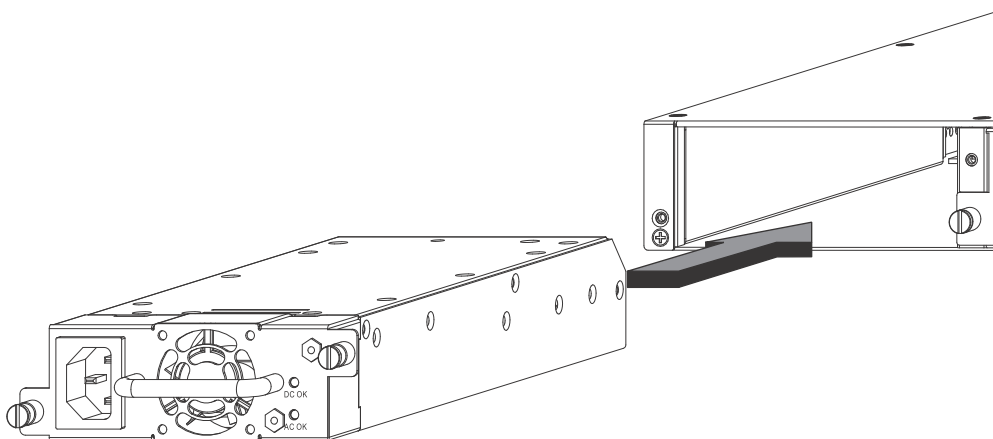
As indicated in [Table 16](#), some of the wires should not be connected.

Installing and replacing a power supply unit



CAUTION

For the PowerConnect B-FCX624 and PowerConnect B-FCX648 devices, be sure that the airflow direction of the power supply unit matches that of the installed fan tray. The power supplies and fan trays are clearly labeled with either a green arrow with an “E”, or an orange arrow with an “I” as shown in [Table 1](#) on page 3.

FIGURE 27 Installing a power supply unit

Use the following steps to install a power supply unit in the switch.

1. Remove the blank metal plate (or a previously installed PSU) from the appropriate slot by removing the two screws with a flat-head screwdriver.
2. Before opening the package that contains the PSU, touch the bag to the switch casing to discharge any potential static electricity. Dell recommends using an ESD wrist strap during installation.
3. Remove the PSU from the anti-static shielded bag.
4. Holding the PSU level, guide it into the carrier rails on each side and gently push it all the way into the slot, ensuring that it firmly engages with the connector.
5. When you are sure the PSU has properly engaged the connector, tighten the retainer screws to secure the PSU in the slot.

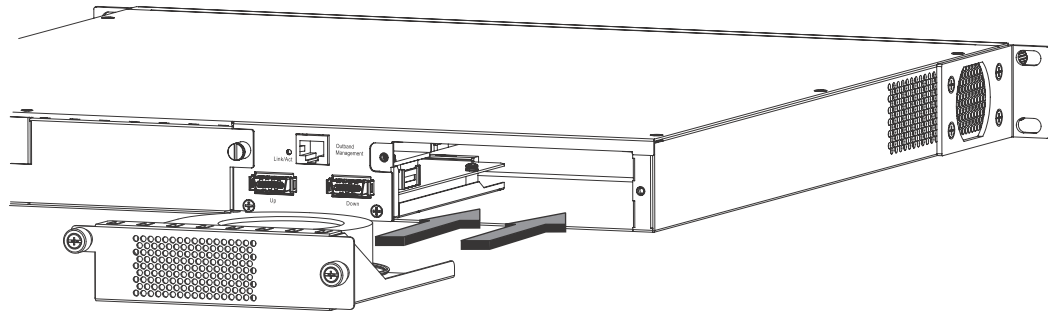
When the device is powered on, the PSU AC and DC LEDs on the PSU back panel should turn green to confirm that the PSU is correctly installed and supplying power.

**CAUTION**

If you do not install a PSU in a slot, you must keep the slot panel in place. If you run the device with an uncovered slot, the system will overheat.

Installing or replacing fan trays on PowerConnect B-FCX624s and PowerConnect B-FCX648s devices

FIGURE 28 Installing a fan tray on a PowerConnect B-FCX624s or PowerConnect B-FCX648s device



Perform the following steps to install a fan tray in the switch.

1. Remove the installed fan tray from the slot by removing the two screws with a crosshead or Philips screwdriver.
2. Before opening the package that contains the new fan tray, touch the bag to the switch casing to discharge any potential static electricity. It is recommended that you wear an ESD wrist strap during installation.
3. Remove the fan tray from the anti-static shielded bag.
4. Holding the fan tray level, guide it into the carrier rails on each side and gently push it all the way into the slot, ensuring that it firmly engages with the connector.
5. When you are sure the fan tray has properly engaged the connector, tighten the retainer screws to secure the fan tray in the slot.

NOTE

The fans are controlled by software, and their speed is set according to the environmental temperature surrounding the switch.

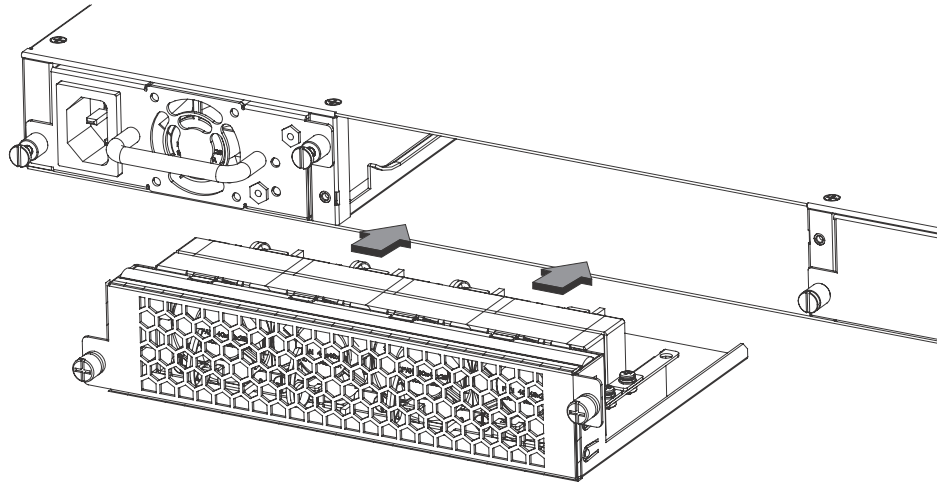
Installing or replacing fan trays on PowerConnect B-FCX624 and PowerConnect B-FCX648 devices



CAUTION

For PowerConnect B-FCX624 and PowerConnect B-FCX648 devices, be sure that the airflow direction of the power supply unit matches that of the installed fan tray. The power supplies and fan trays are clearly labeled with either a green arrow with an “E”, or an orange arrow with an “I” as shown in [Table 1](#) on page 3.

FIGURE 29 Installing a fan tray on a PowerConnect B-FCX624-E, PowerConnect B-FCX624-I, PowerConnect B-FCX648-E, and PowerConnect B-FCX648-I device



Fan trays are hot-swappable. Perform the following steps to install a fan tray in the switch.

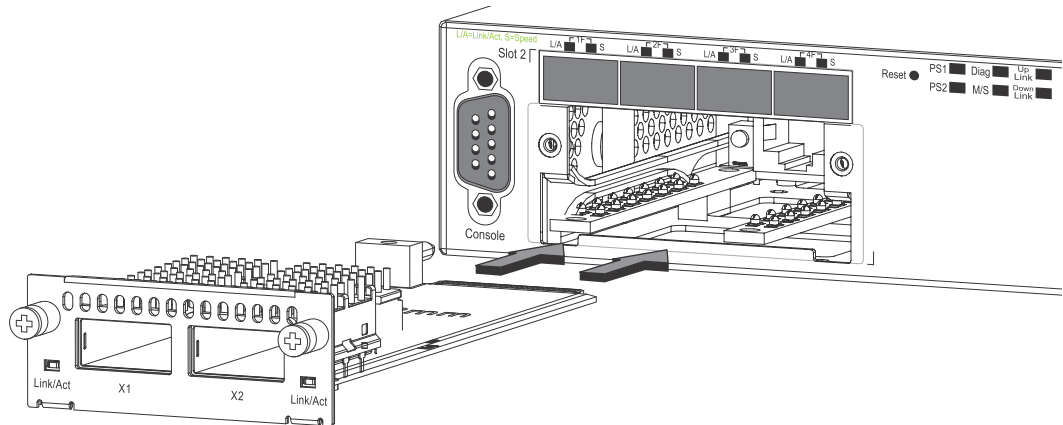
1. Remove the installed fan tray from the slot by removing the two screws with a crosshead or Philips screwdriver.
2. Before opening the package that contains the new fan tray, touch the bag to the switch casing to discharge any potential static electricity. It is recommended that you wear an ESD wrist strap during installation.
3. Remove the fan tray from the anti-static shielded bag.
4. Holding the fan tray level, guide it into the carrier rails on each side and gently push it all the way into the slot, ensuring that it firmly engages with the connector.
5. When you are sure the fan tray has properly engaged the connector, tighten the retainer screws to secure the fan tray in the slot.

NOTE

The fans are controlled by software, and their speed is set according to the environmental temperature surrounding the switch.

Installing an optional module on PowerConnect B-FCX624s or PowerConnect B-FCX648s devices

FIGURE 30 Installing an optional module



PowerConnect B-FCX624s and PowerConnect B-FCX648s switches support an optional two-port 10 Gbps Ethernet XFP module.

Perform these steps to install an optional module.

1. Remove the blank metal plate (or an installed module) from the slot by removing the two screws with a Phillips screwdriver.
2. Before opening the package that contains the module, touch the bag to the switch casing to discharge any potential static electricity. It is recommended that you wear an ESD wrist strap during installation.
3. Remove the module from the anti-static shielded bag.
4. Holding the module level, guide it into the carrier rails on each side and gently push it all the way into the slot, ensuring that it firmly engages with the connector.
5. When you are sure the module has properly engaged the connector, tighten the retainer screws to secure the module in the slot.
6. When the switch is powered on, the LEDs will function as described in [“Port, system, and power status LEDs for PowerConnect B-FCX624s and PowerConnect B-FCX648s”](#) on page 8.



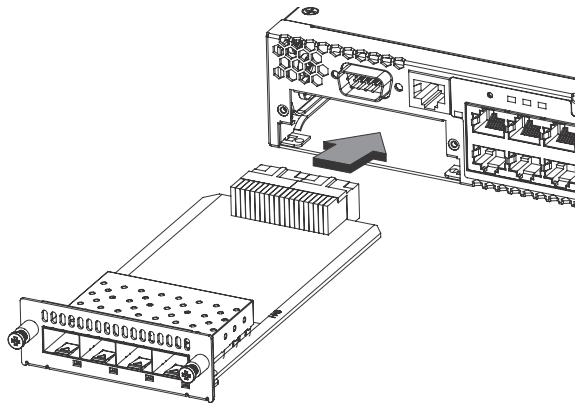
CAUTION

If you do not install a module in a slot, you must keep the slot panel in place. If you run the device with an uncovered slot, the system will overheat.

Installing an optional module in PowerConnect B-FCX624 and PowerConnect B-FCX648 devices

PowerConnect B-FCX624 and PowerConnect B-FCX648 switches support an optional four-port 1 Gbps SFP module or four-port 10 Gbps SFP+ module. The 10 Gbps SFP+ module allows you to use your device in a stack. [Figure 31](#) shows how to install an optional SFP or SFP+ module.

FIGURE 31 Installing an optional module in PowerConnect B-FCX624-E, PowerConnect B-FCX624-I, PowerConnect B-FCX648-E, and PowerConnect B-FCX648-I devices



CAUTION

Optional SFP and SFP+ modules are not hot-swappable. Be sure to power-down your device before you install or replace a module.

Perform these steps to install an optional module.

1. Remove the blank metal plate (or a installed module) from the slot by removing the two screws with a Phillips screwdriver.
2. Before opening the module package, touch the bag to the switch casing to discharge any static electricity. It is recommended that you wear an ESD wrist strap during installation.
3. Remove the module from the anti-static shielded bag.
4. Hold the module level, guide it into the carrier rails and gently push it into the slot until it firmly engages with the connector.
5. When the module is engaged, tighten the retainer screws to secure the module in the slot.
6. When the switch is powered on, the LEDs will follow the LED status as described in “[Port, system, and power status LEDs for PowerConnect B-FCX624 and PowerConnect B-FCX648](#)” on page 11.

NOTE

If you want ports 1 and 2 on the 10 Gbps module to pass regular Ethernet traffic, you must first disable stacking on these ports. For more information, see the *PowerConnect B-FCX Series Configuration Guide*

2 Installing an optional module in PowerConnect B-FCX624 and PowerConnect B-FCX648 devices



CAUTION

If you do not install a module in a slot, you must keep the slot panel in place. If you run the device with an uncovered slot, the system will overheat.

Checking Network Devices and Testing Connectivity

**CAUTION**

The procedures in this manual are for qualified service personnel.

Assigning permanent passwords

By default, the CLI is not protected by passwords. To secure CLI access, Dell strongly recommends assigning passwords. See the *PowerConnect B-FCX Series Configuration Guide*.

NOTE

You cannot assign a password using the Web Management Interface. You can assign passwords using Brocade Network Advisor if an enable password for a Super User has been configured on the device.

The CLI contains the following access levels:

- **User EXEC** – The level you enter when you first start a CLI session. At this level, you can view some system information but you cannot configure system or port parameters.
- **Privileged EXEC** – This level is also called the Enable level and can be secured by a password. You can perform tasks such as manage files on the flash module, save the system configuration to flash, and clear caches at this level.
- **CONFIG** – The configuration level. This level lets you configure the system IP address and configure switching and routing features. To access the CONFIG mode, you must already be logged into the Privileged level of the EXEC mode.

You can set the following levels of Enable passwords:

- **Super User** – Allows complete read-and-write access to the system. This is generally for system administrators and is the only password level that allows you to configure passwords.

NOTE

You must set a super user password before you can set other types of passwords.

- **Port Configuration** – Allows read-and-write access for specific ports but not for global (system-wide) parameters.
- **Read Only** – Allows access to the Privileged EXEC mode and CONFIG mode but only with read access.

Setting passwords

1. At the opening CLI prompt, enter the following command to change to the Privileged level of the EXEC mode:

```
PowerConnect> enable
```

2. Access the CONFIG level of the CLI by entering the following command:

```
PowerConnect# configure terminal  
PowerConnect(config)#
```

3. Enter the following command to set the super user password:

```
PowerConnect(config)# enable super-user-password <text>
```

NOTE

You must set the super user password before you can set other types of passwords.

4. Enter the following commands to set the port configuration and read-only passwords:

```
PowerConnect(config)# enable port-config-password <text>  
PowerConnect(config)# enable read-only-password <text>
```

NOTE

If you forget your super user password, refer to [“Recovering from a lost password”](#) on page 34.

Syntax: `enable super-user-password | read-only-password | port-config-password <text>`

Passwords can be up to 32 characters long.

Recovering from a lost password

By default, the CLI does not require passwords. However, if someone has configured a password for the device but the password has been lost, you can regain super user access to the device using the following procedure.

NOTE

Recovery from a lost password requires direct access to the serial port and a system reset.

Use the following procedure to recover from a lost password.

1. Start a CLI session over the serial interface to the Dell device.
2. Reboot the device.
3. While the system is booting, before the initial system prompt appears, enter **b** to enter the boot monitor mode.
4. Enter **no password** at the prompt. (You cannot abbreviate this command.)
5. Enter **boot system flash primary** at the prompt. This command causes the device to bypass the system password check.

After the console prompt reappears, assign a new password.

Configuring IP addresses

You must configure at least one IP address using the serial connection to the CLI before you can manage the system using the other management interfaces.

Dell devices support both classical IP network masks (Class A, B, and C subnet masks, and so on) and Classless Interdomain Routing (CIDR) network prefix masks.

- To enter a classical network mask, enter the mask in IP address format. For example, enter “209.157.22.99 255.255.255.0” for an IP address with a Class-C subnet mask.
- To enter a prefix number for a network mask, enter a forward slash (/) and the number of bits in the mask immediately after the IP address. For example, enter “209.157.22.99/24” for an IP address that has a network mask with 24 significant (“mask”) bits.

By default, the CLI displays network masks in classical IP address format (example: 255.255.255.0). You can change the display to the prefix format. See the *PowerConnect B-FCX Series Configuration Guide*.

Devices running Layer 2 software

Use the following procedure to configure an IP Address on a device running Layer 2 software.

1. At the opening CLI prompt, enter **enable**.

```
PowerConnect> enable
```

2. Enter the following command at the Privileged EXEC level prompt (for example, PowerConnect#), then press **Enter**. This command erases the factory test configuration if still present:

```
PowerConnect# erase startup-config
```



CAUTION

Use the **erase startup-config** command only for new systems. If you enter this command on a system you have already configured, the command erases the configuration. If you accidentally do erase the configuration on a configured system, enter the write memory command to save the running configuration to the startup-config file.

3. Access the configuration level of the CLI by entering the following command:

```
PowerConnect# configure terminal (Privileged EXEC Level)
PowerConnect(config)# (Global CONFIG Level)
```

4. Configure the IP address and mask for the switch.

```
PowerConnect(config)# ip address 192.22.3.44 255.255.255.0
```

5. Set a default gateway address for the switch.

```
PowerConnect(config)# ip default-gateway 192.22.3.1
```

NOTE

You do not need to assign a default gateway address for single subnet networks.

Syntax: **enable** [<password>]

Syntax: **configure terminal**

3 Configuring IP addresses

Syntax: [no] ip address <ip-addr> <ip-mask>

or

Syntax: [no] ip address <ip-addr>/<mask-bits>

Syntax: ip default-gateway <ip-addr>

Devices running Layer 3 software

Before attaching equipment to a Layer 3 Switch, you must assign an interface IP address to the subnet on which the router will be located. You must use the serial connection to assign the first IP address. For subsequent addresses, you also can use the CLI through Telnet or the Web management interface.

By default, you can configure up to 24 IP interfaces on each port, virtual interface, and loopback interface. You can increase this amount to up to 64 IP subnet addresses per port by increasing the size of the subnet-per-interface table.

The following procedure shows how to add an IP address and mask to a router port.

1. At the opening CLI prompt, enter **enable**.

```
PowerConnect> enable
```

2. Enter the following command at the CLI Privileged EXEC level prompt, then press Enter. This command erases the factory test configuration if still present:

```
PowerConnect# erase startup-config
```



CAUTION

Use the `erase startup-config` command only for new systems. If you enter this command on a system you have already configured, the command erases the configuration. If you accidentally do erase the configuration on a configured system, enter the `write memory` command to save the running configuration to the startup-config file.

3. Access the configuration level of the CLI by entering the following command:

```
PowerConnect# configure terminalPrivileged EXEC Level
PowerConnect(config)#Global CONFIG Level
```

4. Configure the IP addresses and mask addresses for the interfaces on the router.

```
PowerConnect(config)# int e 2
PowerConnect(config-if-e1000-2)# ip address 192.22.3.44 255.255.255.0
```

NOTE

You can use the syntax `ip address <ip-addr>/<mask-bits>` if you know the subnet mask length. In the above example, you could enter `ip address 192.22.3.44/24`.

Syntax: enable [<password>]

Syntax: configure terminal

Syntax: [no] ip address <ip-addr> <ip-mask> [secondary]

or

Syntax: [no] ip address <ip-addr>/<mask-bits> [secondary]

Use the **secondary** parameter if you have already configured an IP address within the same subnet on the interface.

Configuring IP parameters for devices running Layer 3 software

This section describes how to configure IP parameters for devices running Layer 3 software.

Configuring IP addresses

You can configure an IP address on the following types of Layer 3 switch interfaces:

- Ethernet port
- Virtual routing interface (also called a Virtual Ethernet or “VE”)
- Loopback interface

By default, you can have up to 24 IP addresses on each interface, but you can increase this number to 128 IP addresses.

NOTE

Once you configure a virtual routing interface on a VLAN, you cannot configure Layer 3 interface parameters on individual ports in the VLAN. Instead, you must configure the parameters on the virtual routing interface itself.

Dell devices support both classical IP network masks (Class A, B, and C subnet masks, and so on) and Classless Interdomain Routing (CIDR) network prefix masks.

- To enter a classical network mask, enter the mask in IP address format. For example, enter “209.157.22.99 255.255.255.0” for an IP address with a Class-C subnet mask.
- To enter a prefix network mask, enter a forward slash (/) and the number of bits in the mask immediately after the IP address. For example, enter “209.157.22.99/24” for an IP address that has a network mask with 24 significant bits (ones).

By default, the CLI displays network masks in classical IP address format (for example: 255.255.255.0). You can change the display to prefix format.

Assigning an IP address to an Ethernet port

Enter the following commands to assign an IP address to port 1/1/1.

```
PowerConnect(config)# interface ethernet 1/1/1
PowerConnect(config-if-1/1/1)# ip address 192.45.6.1 255.255.255.0
```

NOTE

You also can enter the IP address and mask in CIDR format, as follows:

```
PowerConnect(config-if-1/1/1)# ip address 192.45.6.1/24
```

Syntax: [no] ip address <ip-addr> <ip-mask>

or

Syntax: [no] ip address <ip-addr>/<mask-bits>

Assigning an IP address to a loopback interface

Loopback interfaces are always up, regardless of the states of physical interfaces. They can add stability to the network because they are not subject to route flap problems that can occur due to unstable links between a Layer 3 Switch and other devices. You can configure up to four loopback interfaces on a Layer 3 switch.

3 Configuring IP addresses

You can add up to 24 IP addresses to each loopback interface.

NOTE

If you configure the Dellswitch to use a loopback interface to communicate with a BGP4 neighbor, you must also configure a loopback interface on the neighbor and configure the neighbor to use that loopback interface to communicate with the Dell switch.

To add a loopback interface, enter commands such as those shown in the following example:

```
PowerConnect(config)# exit
PowerConnect(config)# int loopback 1
PowerConnect(config-lbif-1)# ip address 10.0.0.1/24
```

Syntax: `interface loopback <num>`

The <num> parameter specifies the virtual interface number. You can specify from 1 to the maximum number of virtual interfaces supported on the device. To display the maximum number of virtual interfaces supported on the device, enter the **show default values** command. The maximum is listed in the System Parameters section, in the Current column of the virtual-interface row.

Assigning an IP address to a virtual routing interface

A virtual interface is a logical port associated with a Layer 3 Virtual LAN (VLAN) configured on a Layer 3 switch. You can configure routing parameters on the virtual interface to enable the Layer 3 switch to route protocol traffic from one Layer 3 VLAN to the other, without using an external router.

This section describes how to configure an IP address on a virtual interface.

NOTE

The switch uses the lowest MAC address on the device (the MAC address of port 1 or 1/1/1) as the MAC address for all ports within all virtual interfaces you configure on the device.

Enter commands similar to the following to add a virtual interface to a VLAN and configure an IP address on the interface.

```
PowerConnect(config)# vlan 2 name IP-Subnet_1.1.2.1/24
PowerConnect(config-vlan-2)# untag 1/1/1 to 1/1/4
PowerConnect(config-vlan-2)# router-interface ve1
PowerConnect(config-vlan-2)# interface ve1
PowerConnect(config-vif-1)# ip address 1.1.2.1/24
```

The first two commands in this example create a Layer 3 protocol-based VLAN name “IP-Subnet_1.1.2.1/24” and add a range of untagged ports to the VLAN. The **router-interface** command creates virtual interface 1 as the routing interface for the VLAN. The last two commands change to the interface configuration level for the virtual interface and assign an IP address to the interface.

Syntax: `router-interface ve <num>`

Syntax: `interface ve <num>`

Deleting an IP address

Enter a command similar to the following to delete an IP address.

```
PowerConnect(config-if-1/1/1)# no ip address 1.1.2.1
```

This command deletes IP address 1.1.2.1. You do not need to enter the subnet mask.

To delete all IP addresses from an interface, enter the following command:

```
PowerConnect(config-if-1/1/1)# no ip address *
```

Syntax: no ip address <ip-addr> | *

Connecting network devices

Dell devices support connections to other vendors' routers, switches, and hubs, as well other Dell devices.

Connectors.

For port pinouts, refer to “[Pinouts and signalling](#)” on page 61.

Cable specifications

Refer to “[Cable specifications](#)” on page 62 for cable lengths and types.

Connecting to Ethernet or fast Ethernet hubs

For copper connections to Ethernet hubs, a 10/100BaseTX or 1000BaseT switch, or another Dell device, a crossover cable is required ([Figure 32](#) and [Figure 33](#)). If the hub is equipped with an uplink port, it will require a straight-through cable instead of a crossover cable.

NOTE

The 802.3ab standard (automatic MDI or MDIX detection) calls for automatic negotiation of the connection between two 1000Base-T ports. In this case a straight-through cable may work just as well as a crossover cable. For more information about this feature, see the *PowerConnect B-FCX Series Configuration Guide*.

FIGURE 32 UTP crossover cable

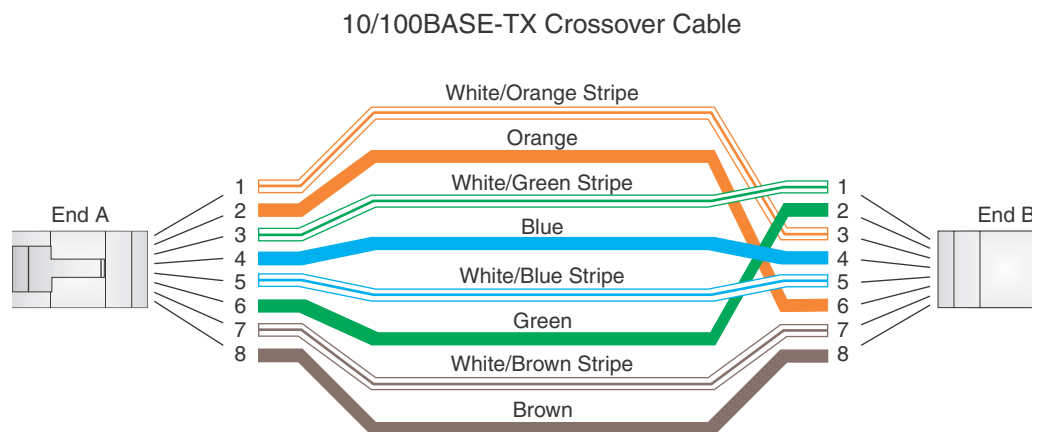
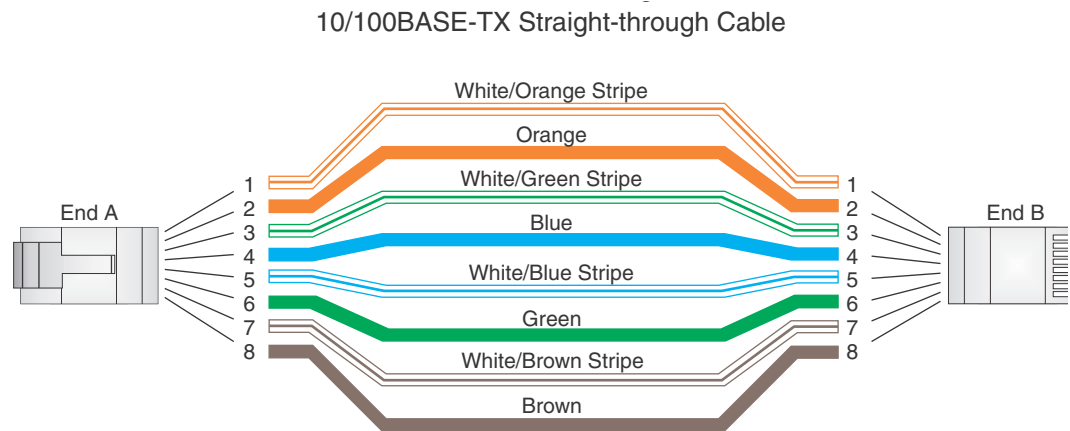


FIGURE 33 Straight-through cable



Connecting to workstations, servers, or routers

Straight-through UTP cabling is required for direct UTP attachment to workstations, servers, or routers using network interface cards (NICs).

Fiber cabling is required for direct attachment to Gigabit NICs or switches and routers through fiber ports. Refer to [“Connecting a network device to a fiber port”](#) on page 40.

Automatic MDI or MDIX detection

All 10/100 and Gbps Ethernet Copper ports on the devices support automatic Media Dependent Interface (MDI) and Media Dependent Interface Crossover (MDIX) detection. This feature is enabled on all 10/100 and Gigabit copper ports by default. For each port, you can disable auto MDI or MDIX, designate the port as an MDI port, or designate the port as an MDIX port.

For more information about this feature and how to configure it, refer to *PowerConnect B-FCX Series Configuration Guide*.

Connecting a network device to a fiber port

For direct attachment from the device to a Gbps NIC, switch, or router, using a fiber optic transceiver, you will need fiber cabling with an LC connector.

To connect the device to another network device using a fiber port, you must do the following tasks:

- Install a fiber optic transceiver (XFP, SFP, or SFP+)
- Cable the fiber optic transceiver

The following sections describe these tasks.

Fiber Optic transceivers

[Table 17](#) lists supported XFP transceivers (for stacking and non-stacking PowerConnect B-FCX models). [Table 18](#) shows supported SFP and SFP+ transceivers. For information about cabling for transceivers, see [Table 24](#).

TABLE 17 Supported XFP transceivers for PowerConnect B-FCX624s and PowerConnect B-FCX648s

10 Gigabit Optic	Distance	Supported for stacking
10GBase-SR	300m	Yes
10GBase-LR	10km	No
10GBase-ER	40km	No

TABLE 18 Supported SFP transceivers for PowerConnect B-FCX624 and PowerConnect B-FCX648

10 Gigabit Optic	Distance	Supported for stacking
10GSFP-SR	300m	Yes
10GSFP-LR	10km	No

Installing a transceiver

You can install a new transceiver in an XFP, SFP, or SFP+ slot while the device is powered on and running.

While installing a transceiver, wear an ESD wrist strap with a plug for connection to a metal surface.

NOTE

For safety reasons, the ESD wrist strap should contain a series 1 meg ohm resistor.

**CAUTION**

All fiber optic interfaces use Class 1 lasers.

Use the following steps to install a transceiver.

1. Put on the ESD wrist strap and ground yourself by attaching the clip end to a metal surface (such as an equipment rack) to act as ground.
2. Remove the new transceiver from the protective packaging.
3. Gently insert the transceiver into the slot until it clicks into place. Transceivers are keyed to prevent incorrect insertion.

FIGURE 34 Installing a transceiver in PowerConnect B-FCX624s and PowerConnect B-FCX648s devices

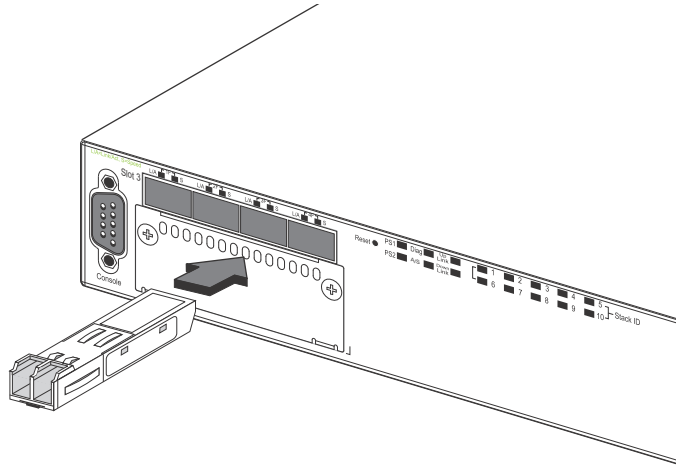
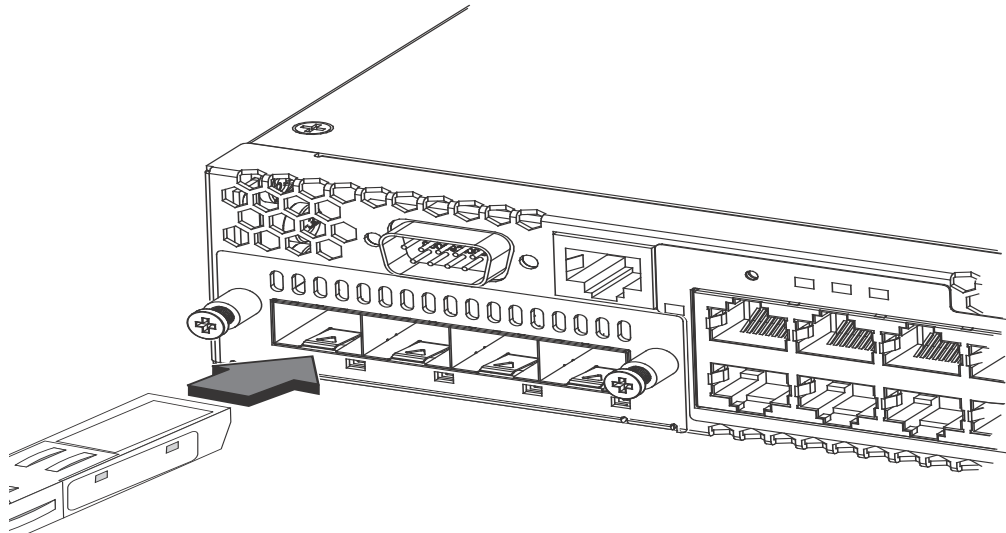


FIGURE 35 Installing a transceiver in PowerConnect B-FCX624 and PowerConnect B-FCX648



Cabling a fiber optic transceiver

Use the following steps to cable a fiber optic transceiver.

1. Remove the protective covering from the fiber-optic port connectors and store the covering for future use.
2. Before cabling a fiber optic transceiver, Dell strongly recommends cleaning the cable connectors and the port connectors. For more information, refer to [“Cleaning the fiber optic connectors”](#) on page 43.
3. Gently insert the cable connector (a tab on each connector should face upward) into the transceiver connector until the tabs lock into place.
4. Observe the link and active LEDs to determine if the network connections are functioning properly. For more information about the LED indicators, refer to Table 19.

Cleaning the fiber optic connectors

To avoid problems with the connection between the fiber optic transceiver (SFP, SFP+, or mini-GBIC) and the fiber cable connectors.

When not using an SFP connector, make sure to keep the protective covering in place.

Testing connectivity

Test for connectivity by observing the LEDs related to network connection.

Pinging an IP address

To verify that a PowerConnect B-FCX device can reach another device through the network, enter a command similar to the following at any level of the CLI.

```
PowerConnect> ping 192.33.4.7
```

Syntax: ping <ip addr> [source <ip addr>] [count <num>] [timeout <msec>] [ttl <num>] [verify] [no-fragment] [quiet] [data <1-to-4 byte hex#, e.g. abcdef00>] [numeric] [size <byte>] [brief [max-print-per-sec <num 0-2047>]]

NOTE

If you address the ping to the IP broadcast address, the device lists the first four responses.

Observing LEDs

After you install the network cables, you can observe certain LEDs to determine if the network connections are functioning properly. [Table 19](#) outlines the LEDs related to the network connections, the desired state of each LED, possible abnormal states of each LED, and what to do if an LED indicates an abnormal state.

3 Testing connectivity

TABLE 19 Network connection-related LED states

LED	Desired State	Meaning	Abnormal State	Meaning or Action
Ethernet (1-24/48) Link or Activity or Speed	On or Blinking (Green or Amber)	A link is established with the remote port and user packets are being transmitted or received.	Off	<p>A link is not established with the remote port. You can do the following:</p> <ul style="list-style-type: none"> • Verify that the connection to the other network device has been properly made. Also, make certain that the other network device is powered on and operating correctly. • Verify that the port has not been disabled through a configuration change. You can use the CLI. If you have configured an IP address on the device, you also can use the Web management interface or Brocade Network Advisor. • For the combination ports (ports 1~4), check that the shared SFP port (1F~4F) is not being used. • If the other actions don't resolve the problem, try using a different port or a different cable.
SFP (1F~4F) Link or Activity	On Green	A link is established with the remote port.	Off	<p>A link is not established with the remote port. You can do the following:</p> <ul style="list-style-type: none"> • Verify that the connection to the other network device has been properly made. Also, make certain that the other network device is powered on and operating correctly. • Verify that the transmit port on the Dell device is connected to the receive port on the other network device, and that the receive port on the Dell device is connected to the transmit port on the other network device. If you are not certain, remove the two cable connectors from the port connector and reinsert them in the port connector, reversing their order. • Dust may have accumulated in the cable connector or port connector. For information about cleaning the connectors, refer to "Cleaning the fiber optic connectors" on page 43. • Verify that the port has not been disabled through a configuration change. • Check that the configuration has not forced the use of the RJ45 port shared with the SFP port. • If the other actions don't resolve the problem, try using a different port or a different cable.
SFP (1F~4F) Speed	On (Green or Amber)	A link is established with the remote port.	Off	<p>A link is not established with the remote port. You can do the following:</p> <ul style="list-style-type: none"> • Check the Link LED to make sure the link is still established with the remote port. If not, take the actions described in the Meaning or Action column for the Link LED.

TABLE 19 Network connection-related LED states (Continued)

LED	Desired State	Meaning	Abnormal State	Meaning or Action
SFP+ (1F~4F) Link or Activity	On Green	A link is established with the remote port.	Off	A link is not established with the remote port. You can do the following: <ul style="list-style-type: none"> • Verify that the connection to the other network device has been properly made. Also, make certain that the other network device is powered on and operating correctly. • Verify that the transmit port on the Dell device is connected to the receive port on the other network device, and that the receive port on the Dell device is connected to the transmit port on the other network device. If you are not certain, remove the two cable connectors from the port connector and reinsert them in the port connector, reversing their order. • Dust may have accumulated in the cable connector or port connector. For information about cleaning the connectors, refer to “Cleaning the fiber optic connectors” on page 43. • Verify that the port has not been disabled through a configuration change. • Check that the configuration has not forced the use of the RJ45 port shared with the SFP port. • If the other actions don’t resolve the problem, try using a different port or a different cable.
SFP+ (1F~4F) Speed	On (Green or Amber)	A link is established with the remote port.	Off	A link is not established with the remote port. You can do the following: <ul style="list-style-type: none"> • Check the Link LED to make sure the link is still established with the remote port. If not, take the actions described in the Meaning or Action column for the Link LED.

If a problem persists after taking these actions, contact Dell Technical Support.

Tracing a route

To determine the path through which a Dell device can reach another device, enter a command similar to the following at any level of the CLI on the device.

```
PowerConnect> traceroute 192.33.4.7
```

Syntax: `traceroute <host-ip-addr> [maxttl <value>] [minttl <value>] [numeric] [timeout <value>] [source-ip <ip addr>]`

The CLI displays trace route information for each hop as soon as the information is received. Traceroute requests display all responses to a given TTL. In addition, if there are multiple equal-cost routes to the destination, the Dell device displays up to two responses by default.

Troubleshooting network connections

- For the indicated port, verify that both ends of the cabling (at the device and the connected device) are snug.
- Verify that the device and the connected device are both powered on and operating correctly.

3 Troubleshooting network connections

- Verify that you have used the correct cable type for the connection:
 - For twisted-pair connections to an end node, use straight-through cabling.
 - For fiber optic connections, verify that the transmit port on the device is connected to the receive port on the connected device, and that the receive port on the device is connected to the transmit port on the connected device.
- Use the CLI to verify that the port has not been disabled through a configuration change. If you have configured an IP address on the device, you also can use the Web management interface or Brocade Network Advisor.
- If the other procedures don't resolve the problem, try using a different port or a different cable.

Using Virtual Cable Testing to diagnose a cable

These devices support Virtual Cable Test (VCT) technology. VCT technology enables you to diagnose a conductor (wire or cable) by sending a pulsed signal into the conductor, then examining the reflection of that pulse. This method of cable analysis is referred to as Time Domain Reflectometry (TDR). By examining the reflection, the device can detect and report cable statistics such as local and remote link pair, cable length, and link status.

Configuration notes

- This feature is supported on copper ports only. It is not supported on fiber ports.
- The port to which the cable is connected must be enabled when you issue the command to diagnose the cable. If the port is disabled, the command is rejected.
- If the port is operating at 100 Mbps half-duplex, the TDR test on one pair will fail.
- If the remote pair is set to forced 100 Mbps, any change in MDI or MDIX may cause the device to interpret the Multilevel Threshold-3 (MLT-3) as a reflected pulse, in which case, the device will report a faulty condition. In this case, Dell recommends that you run the TDR test a few times for accurate results.

Command syntax

To diagnose a cable using TDR, enter a command such as the following at the Privileged EXEC level of the CLI.

```
PowerConnect# phy cable-diag tdr 1/1/1  
This command diagnoses the cable attached to port 1/1/1.
```

Syntax: `phy cable-diag tdr <port-num>`

Viewing the results of the cable analysis

To display the results of the cable analysis, enter a command similar to the following at the Privileged EXEC level of the CLI.

```
PowerConnect# show cable-diag tdr 1/1/1
```


The output from this command appears below.

```
PowerConnect# show cable-diag tdr 1/1/1
Port          Speed Local pair Pair Length Remote pair Pair status
-----
1/1/1        1000M Pair A    <50M      Pair B    Terminated
              Pair B    <50M      Pair A    Terminated
              Pair C    <50M      Pair D    Terminated
              Pair D    <50M      Pair C    Terminated
```

Syntax: `show cable-diag tdr <port-num>`

Table 20 defines the fields shown in this output.

TABLE 20 Cable statistics

This Line...	Displays...
Port	The port that was tested.
Speed	The current line speed of the port.
Local pair	The local link name.
Pair Length	The cable length when terminated, or the distance to the point of fault when the line is not up.
Remote pair	The remote link name.
Pair status	The status of the link. This field displays one of the following: <ul style="list-style-type: none"> • Terminated: The link is up. • Shorted: A short is detected in the cable. • Open: An opening is detected in the cable. • ImpedMis: The impedance is mismatched. • Failed: The TDR test failed.

Digital optical monitoring

You can configure your device to monitor optical transceivers in the system, either globally or by specified port. When this feature is enabled, the system monitors the temperature and signal power levels for the optical transceivers in the specified ports. Console messages and syslog messages are sent when optical operating conditions fall below or rise above the XFP, SFP, and SFP+ manufacturer’s recommended thresholds. For more information about digital optical monitoring, refer to *PowerConnect B-FCX Series Configuration Guide*.

3 Troubleshooting network connections

Managing the PowerConnect B-FCX Hardware



CAUTION

The procedures in this manual are for qualified service personnel.

Managing temperature settings

This section describes how to display temperature settings on the device and how to change the temperature warning and shutdown levels.

Using the temperature sensor

The device ships with three built-in temperature sensors that cause the device to generate a Syslog message and SNMP trap if the temperature exceeds a specified warning level or shutdown level. If the device temperature exceeds the safe threshold (shutdown level), the device will reboot.

The software reads the temperature sensors based on the device poll time, which is by default 60 seconds. If the temperature equals or exceeds the shutdown temperature for five consecutive polls by the software, the software will reboot the device to prevent damage.

You can use the CLI or Web management interface to perform the following tasks:

- Display the temperature of the device
- Change the warning and shutdown temperature levels
- Change the device poll time

Displaying the temperature

By default, the software polls the temperature sensor every 60 seconds to get the current temperature. This poll rate is controlled by the device poll time, which also controls how often the software polls other system components.

To display the temperature of a device, enter the **show chassis** command at any level of the CLI.

```
PowerConnect# show chassis
The stack unit 1 chassis info:
Power supply 1 (NA - AC - Regular) present, status ok
Power supply 2 not present
Fan ok, speed (auto): [[1]]<->2<->3
Fan speed switching temperature thresholds:
    1 -> 2 @ 61 deg-C
    1 <- 2 @ 56 deg-C
    2 -> 3 @ 67 deg-C
    2 <- 3 @ 62 deg-C
MAC 1 Temperature Readings:
    Current temperature : 50.5 deg-C
```

4 Managing temperature settings

```
Warning level.....: 80.0 deg-C
Shutdown level.....: 90.0 deg-C
CPU Temperature Readings:
Current temperature : 49.0 deg-C
Boot Prom MAC : 0012.f2d4.69c0
Management MAC: 0012.f2d4.69c0
```

Syntax: show chassis

Displaying Syslog messages for temperature

The software sends a Syslog message and an SNMP trap if the temperature crosses the warning or shutdown thresholds. The following methods describe how to view the system log on the device. If you have configured the device to use a Syslog server or SNMP trap receiver, see the documentation for the server or receiver.

To display the system log, enter the **show log** command at any CLI level.

```
PowerConnect# show log
Syslog logging: enabled (0 messages dropped, 0 flushes, 0 overruns)
Buffer logging: level ACDMEINW, 8 messages logged
level code: A=alert C=critical D=debugging M=emergency E=error
I=informational N=notification W=warning

Static Log Buffer:

Dynamic Log Buffer (50 entries):

at 0 days 0 hours 2 minutes 0 seconds, level alert
Temperature 48.0 C degrees, warning level 45.0 C degrees, shutdown level 55.0 C
degrees

at 0 days 0 hours 1 minutes 0 seconds, level alert
Temperature 40.0 C degrees, warning level 35.0 C degrees, shutdown level 45.0 C
degrees
```

Changing temperature warning and shutdown levels

The default warning temperatures and the default shutdown temperatures for the device are:

- Warning temperature is 85 Deg-C (measured on mainboard)
- Shutdown temperature is 90 Deg-C (measured on mainboard)

NOTE

These temperatures reflect the temperature of the board inside the device.

To change the temperature at which the device sends a warning, enter a command similar to the following at the Privileged EXEC level of the CLI:

```
PowerConnect# temperature warning 1 85
```

Syntax: temperature warning <stack-unit> <value>

The <stack-id> can be 1 - 8.

The <value> can be 0 - 125

To display the current temperature readings, enter the **temp** command as shown.

```

PowerConnect# temperature
    temperature          temperature sensor commands
PowerConnect# temperature warning
    warning      Temperature at which the module sends a warning
PowerConnect# temperature warning
    DECIMAL      Stack Number
PowerConnect# temperature warning 1 87
PowerConnect# show chassis
The stack unit 1 chassis info:
Power supply 1 (NA - AC - Regular) present, status ok
Power supply 2 not present
Fan ok, speed (auto): [[1]]<->2<->3
Fan speed switching temperature thresholds:
    1 -> 2 @ 61 deg-C
    1 <- 2 @ 56 deg-C
    2 -> 3 @ 67 deg-C
    2 <- 3 @ 62 deg-C
MAC 1 Temperature Readings:
    Current temperature : 51.5 deg-C
    Warning level.....: 87.0 deg-C
    Shutdown level.....: 90.0 deg-C
CPU Temperature Readings:
    Current temperature : 51.0 deg-C
Boot Prom MAC : 0012.f2d4.69c0
Management MAC: 0012.f2d4.69c0

```

Changing the shutdown temperature

You can change the shutdown temperature using the **fan-threshold** command as shown. The valid range is 0-125 deg-C.

```

PowerConnect(config)# stack unit 1
PowerConnect(config-unit-1)# fan-threshold mp speed-3 62 95
PowerConnect(config-unit-1)# show chassis
The stack unit 1 chassis info:
Power supply 1 (NA - AC - Regular) present, status ok
Power supply 2 not present
Fan ok, speed (auto): [[1]]<->2<->3
Fan speed switching temperature thresholds:
    1 -> 2 @ 61 deg-C
    1 <- 2 @ 56 deg-C
    2 -> 3 @ 67 deg-C
    2 <- 3 @ 62 deg-C
MAC 1 Temperature Readings:
    Current temperature : 56.5 deg-C
    Warning level.....: 85.0 deg-C
    Shutdown level.....: 95.0 deg-C
CPU Temperature Readings:
    Current temperature : 53.0 deg-C
Boot Prom MAC : 0012.f2d4.69c0
Management MAC: 0012.f2d4.69c0
PowerConnect(config-unit-1)#

```

Syntax: **fan-threshold speed-3 mp** <lowest value> <highest value>

The device will automatically reset and reload the software when the internal temperature reaches or exceeds the configured shutdown level for five minutes. The system is also capable of registering negative temperature settings.

4 Managing temperature settings

To change the temperature at which the PowerConnect B-FCX sends a warning, you must change the fan speed threshold. To view the current temperature thresholds, enter the **show chassis** command:

```
PowerConnect# show chassis
The stack unit 1 chassis info:
Power supply 1 (NA-AC-Regular)present, status ok
Power supply 2 not present
Fan ok, speed (auto): 1<->[[2]]<->3
Fan ok, speed (auto): 1<->[[2]]<->3
Fan speed switching temperature thresholds:
  1 -> 2 @ 53 deg-C
  1 <- 2 @ 37 deg-C
  2 -> 3 @ 55 deg-C
  2 <- 3 @ 50 deg-C
MAC 1 Temperature Readings:
  Current temperature : 53.0 deg-C
MAC 2 Temperature Readings:
  Current temperature : 53.0 deg-C
Temperature Readings:
  Current temperature : 53.0 deg-C
  Warning level.....: 60.0 deg-C
  Shutdown level.....: 80.0 deg-C
CPU Temperature Readings:
  Current temperature : 47.5 deg-C
```

Enter a command to the following to change the temperature shutdown level from 80 deg-C to 90 deg-C.

```
PowerConnect#stack unit 1
PowerConnect(config-unit-1)#fan-threshold mp speed-3 50 90
```

Syntax: fan-threshold speed-3 mp <lowest value> <highest value>

The <value> can be 0 – 125.

Enter the show chassis command to confirm the change:

```
PowerConnect# show chassis
The stack unit 1 chassis info:
Power supply 1 (NA-AC-Regular)present, status ok
Power supply 2 not present
Fan ok, speed (auto): 1<->[[2]]<->3
Fan ok, speed (auto): 1<->[[2]]<->3
Fan speed switching temperature thresholds:
  1 -> 2 @ 53 deg-C
  1 <- 2 @ 37 deg-C
  2 -> 3 @ 55 deg-C
  2 <- 3 @ 50 deg-C
MAC 1 Temperature Readings:
  Current temperature : 53.0 deg-C
MAC 2 Temperature Readings:
  Current temperature : 53.0 deg-C
Temperature Readings:
  Current temperature : 53.0 deg-C
  Warning level.....: 60.0 deg-C
  Shutdown level.....: 90.0 deg-C
CPU Temperature Readings:
  Current temperature : 47.5 deg-C
```

Changing the temperature polling interval

The software reads the temperature sensor and polls other hardware sensors according to the value set for the poll time, which is 60 seconds by default. You can change the poll time using the CLI.

To change the poll time, enter a command similar to the following at the global CONFIG level:

```
PowerConnect(config)# chassis poll-time 2 200
```

Syntax: `chassis poll-time <stack-id><value>`

The `<stack-id>` can be 1 - 8

The `<value>` can be 0 - 65535.

Removing MAC address entries

You can remove the following types of learned MAC address entries from the system MAC address table:

- All MAC address entries
- All MAC address entries for a specified Ethernet port
- All MAC address entries for a specified VLAN
- A specified MAC address entry in all VLANs

For example, to remove entries for the MAC address 000d.cb80.00d in all VLANs, enter the following command at the Privileged EXEC level of the CLI:

```
PowerConnect# clear mac-address 000d.cb80.00d0
```

Syntax: `clear mac-address <mac-address> | ethernet <port-num> | vlan <number>`

If you enter the `clear mac-address` command without any parameters, the software removes all MAC entries.

Use the `<mac-address>` parameter to remove a specified MAC address from all VLANs. Specify the MAC address in the following format: HHHH.HHHH.HHHH.

Use the `ethernet <port-num>` parameter to remove all MAC addresses for a specified Ethernet port.

Use the `vlan <number>` parameter to remove all MAC addresses for a specified VLAN.

Displaying PowerConnect B-FCX CPU usage

You can display the amount of the PowerConnect B-FCX CPU in use. To do so, enter the `show cpu` command at any level of the CLI:

```
PowerConnect# show cpu
31 percent busy, from 3248 sec ago
1 sec avg: 10 percent busy
5 sec avg: 10 percent busy
60 sec avg: 10 percent busy
300 sec avg: 10 percent busy
```

Syntax: `show cpu`

Hardware maintenance schedule

PowerConnect B-FCX switch hardware components require minimal maintenance. Dell recommends cleaning the fiber-optic connectors on a fiber-optic port and the connected fiber cable each time you disconnect the cable.

You can replace the copper and fiber optic modules (SFPs or mini-GBICs).

Replacing a copper or fiber optic module

You can remove an SFP from a slot and replace it with a new one while the PowerConnect B-FCX is powered on and running.

This section provides information about the following tasks:

- Removing a copper or fiber optic module
- Installing a new copper or fiber optic module
- Cabling a fiber optic module

Removing a copper or fiber optic module

You can remove a copper or fiber SFP (also called a mini-GBIC) from a slot while the PowerConnect B-FCX is powered on and running.

While removing a copper or fiber optic module, be sure to wear an ESD wrist strap with a plug for connection to the ESD connector on the PowerConnect B-FCX.



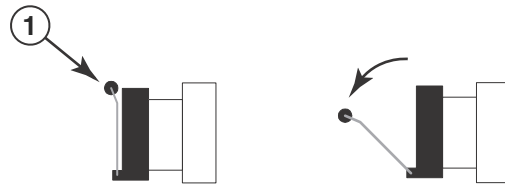
CAUTION

For safety reasons, the ESD wrist strap should contain a series 1 meg ohm resistor.

To remove a copper or fiber optic module from an SFP slot, do the following.

1. Put on the ESD wrist strap and ground yourself by attaching the clip end to a metal surface (such as an equipment rack).
2. Disconnect the copper or fiber cable connector from the port connector.
3. Unlock the copper or fiber optic module by pulling the bail latch forward, away from the front panel of the module.

On 1000BaseSX ports, the bail latch is enclosed in a black sleeve, and on 1000BaseLX ports, the bail latch is enclosed in a blue sleeve.

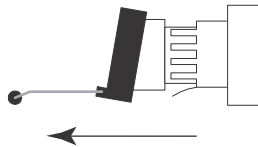
FIGURE 36 Unlocking the bail latch

- 1 Bail Latch

FIGURE 37 Removing the bail latch**NOTE**

The bail latch may be attached to either the top or the bottom of the mini-GBIC.

4. Grasp the bail latch and pull the copper or fiber optic module out of the port.

**FIGURE 38** Remove fiber optic module

5. Store the copper or fiber optic module in a safe, static-free place or in an anti-static bag.
6. Install a new copper or fiber optic module in the port.

Cabling a fiber optic module

For instructions on cabling a fiber optic module refer to [“Cabling a fiber optic transceiver”](#) on page 42.

Cleaning the fiber optic connectors

For instructions on cleaning a fiber optic module refer to [“Cleaning the fiber optic connectors”](#) on page 43.

4 Replacing a copper or fiber optic module

Hardware Specifications

Hardware specifications

This chapter provides the hardware specifications for PowerConnect B-FCX devices.

Physical dimensions and weight

Table 21 lists the physical dimensions and weight for the PowerConnect B-FCX devices.

TABLE 21 Physical dimensions and weight

Model	Height	Width	Depth	Weight
PowerConnect B-FCX624s, PowerConnect B-FCX648s	4.4 cm 1.7 in	44 cm 17.32 in	38.6 cm 15.19 in	4 kg (8.8 lbs)
PowerConnect B-FCX624	4.4 cm 1.7 in	44 cm 17.32 in	43.5 cm 17.13 in	5.35 kg (11.79 lbs)
PowerConnect B-FCX648	4.4 cm 1.7 in	44 cm 17.32 in	43.5 cm 17.13 in	5.71 kg (12.59 lbs)

Environmental considerations

For optimal performance, operate or store your device in compliance with the following environmental conditions.

Operating Environment

Table 22 provides the operating environment specifications.

TABLE 22 Operating environment

Operating Temperature	Relative Humidity	Operating Altitude
0° – 40° C (32° – 104° F)	5 to 95%, @ 40° C (104.9°F), non-condensing	0 – 3000 meters (10,000 feet)

Storage environment

Table 23 provides the storage environment specifications.

TABLE 23 Storage environment specifications

Storage Temperature	Storage Humidity	Storage Altitude
40× to 70× C (-40× to 158× F)	95% maximum, non-condensing	3,000 meter (10,000 feet) maximum

Cooling system and fans

The fans cool the CPU, main memory, and voltage regulators. For the PowerConnect B-FCX624s and PowerConnect B-FCX648s switches, the fans use either a push or pull configuration to move the air from the right side of the device to the left side of the device.

- Total cooling capacity: 80 to 130 watts
- Total air flow: 34.3 CFM
- Operating noise: ideal 51 dB-A

For the PowerConnect B-FCX624E and PowerConnect B-FCX648E models, the air flows from the front to the back (FtB) of the device. For the PowerConnect B-FCX624I and PowerConnect B-FCX648I models, the air flows from the back to the front (BtF) of the device.

- Total cooling capacity: 180 Watts
- Total air flow: 85.2 CFM
- Operating noise: ideal 60 dB-A

NOTE

Operating noise is based on the ISO 7779 standard.

Figure 39 shows the airflow for the PowerConnect B-FCX624s and PowerConnect B-FCX648s models. Figure 40 shows airflow for PowerConnect B-FCX624-E and PowerConnect B-FCX648-E devices and Figure 41 shows airflow for PowerConnect B-FCX624-I and PowerConnect B-FCX648-I devices.

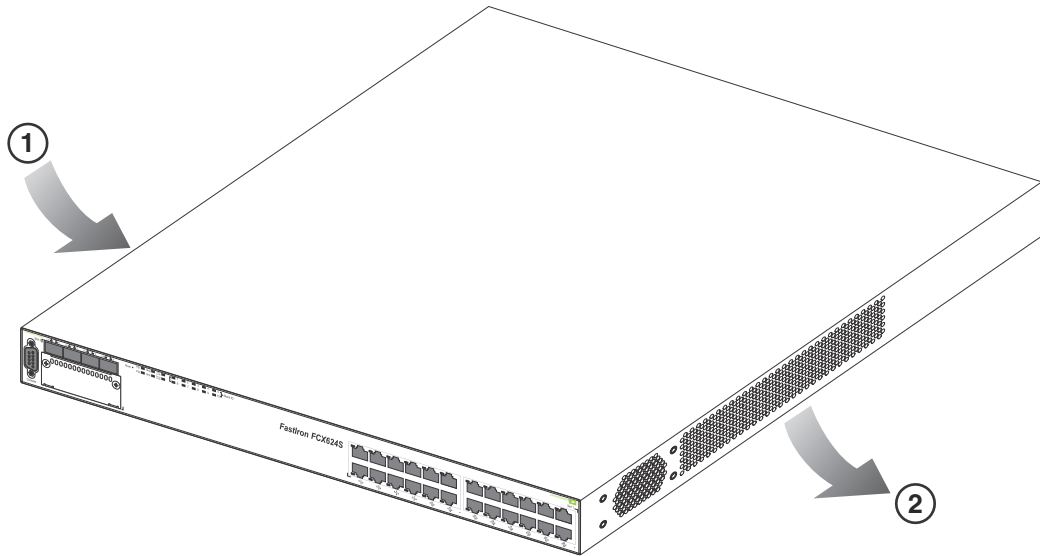


CAUTION

For the PowerConnect B-FCX624E, PowerConnect B-FCX624I, PowerConnect B-FCX648E, and PowerConnect B-FCX648I devices, be sure that the airflow direction of the power supply unit matches that of the installed fan tray. The power supplies and fan trays are clearly labeled with either a green arrow with an “E”, or an orange arrow with an “I” as shown in Table 1 on page 3.

For an illustration of the fan tray labels, see “Power supply and fan tray labels for PowerConnect B-FCX624-E, PowerConnect B-FCX624-I, PowerConnect B-FCX648-E, and PowerConnect B-FCX648-I devices” on page 3.

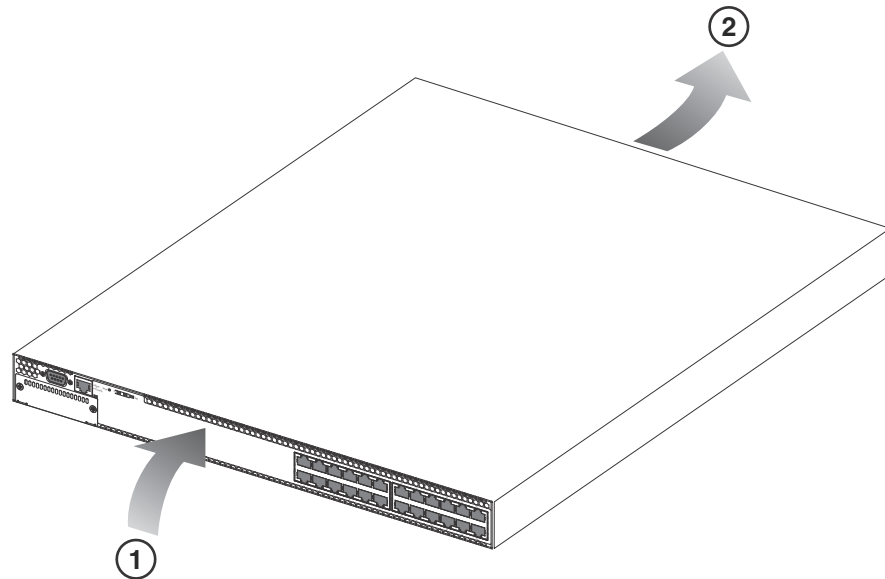
FIGURE 39 PowerConnect B-FCX624s and PowerConnect B-FCX648s device airflow



1 Air Inflow

2 Air outlet

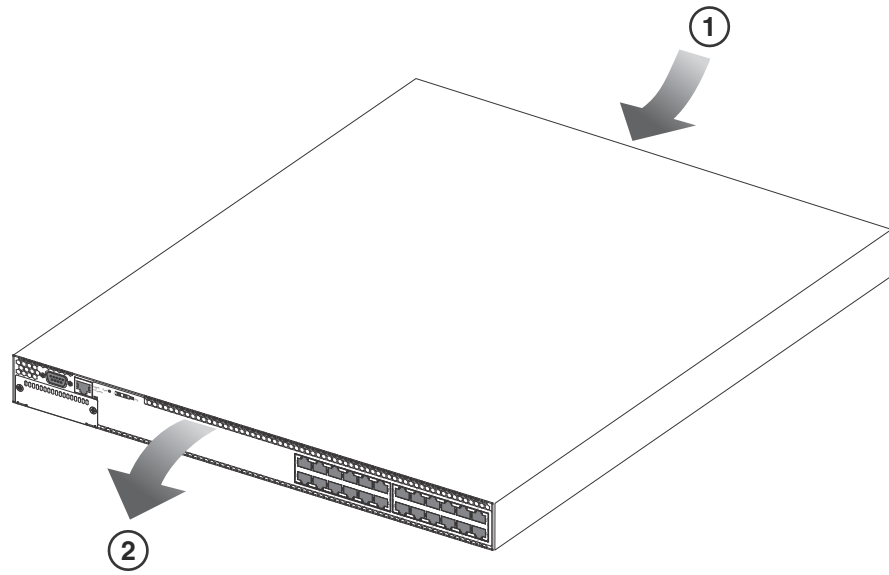
FIGURE 40 PowerConnect B-FCX624-E and PowerConnect B-FCX648-E device airflow



1 Air Inflow

2 Air outlet

FIGURE 41 PowerConnect B-FCX624-I and PowerConnect B-FCX648-I device airflow



1 Air Inflow

2 Air outlet

For a complete list of regulatory compliances refer to [“Regulatory compliance”](#) on page 69.

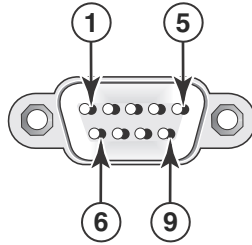
Pinouts and signalling

This section describes the pinout diagrams for the DB-9 connector and RJ45 port jacks.

Serial (Console) port pinouts

The Console port is a standard male DB-9 connector, as shown in Figure 42.

FIGURE 42 Serial port pinouts



Most PC serial ports require a cable with a female DB-9 connector. However, terminal connections will vary, requiring a cable with either a DB-9 or DB-25 connector, male or female.

Serial cable options between the PowerConnect B-FCX switch and a PC or terminal are shown in Figure 43.

NOTE

As indicated in Figure 43 and Figure 44, some of the wires should not be connected. If you do connect the wires that are labeled “Reserved”, you may get unexpected results with some terminals.

FIGURE 43 Console port pin assignments showing cable connection options to a terminal or PC

DB-9 to DB-9 Female Switch		Terminal or PC	DB-9 to DB-25 Female Switch		Terminal or PC
1	Reserved	1	1	Reserved	8
2	→	2	2	→	3
3	←	3	3	←	2
4	Reserved	4	4	Reserved	20
5	→	5	5	→	7
6	Reserved	6	6	Reserved	6
7	←	7	7	←	4
8	→	8	8	→	5
9	Reserved	9	9	Reserved	22

FIGURE 44 Pin assignment and signalling for 10/100BaseTX and 1000BaseT ports

Pin Assignment	10BaseT		100BaseTX and 1000BaseT	
	Pin Number	MDI-X ports	Pin Number	MDI-X ports
	1	RD+	1	RD+
	2	RD-	2	RD-
	3	TD+	3	TD+
	4	Not used	4	CMT
	5	Not used	5	CMT
	6	TD-	6	TD-
	7	Not used	7	CMT
	8	Not used	8	CMT

Cable specifications

Table 24 lists the specifications for the cables used with the 10/100 Ethernet ports. For information about supported transceivers, see Table 17 and Table 18.

NOTE

Cable installation and network configuration will affect overall transmission capability. The numbers provided below represent the accepted recommendations of the various standards. For network-specific recommendations, consult your local Dell reseller or system engineer.

TABLE 24 Cable length summary

Cable Type	Connector Type	Core Diameter (microns)	Modal Bandwidth (MHz*km) or Wavelength (nm)	Range (meters)	
1000Base-BX-D	Single-mode Fiber (SMF)	LC connector for SFP module	9	1490 nm	2 - 10000 (10km)
1000Base-BX-U	SMF	LC connector for SFP module	9	1310 nm	2 - 10000 (10km)
1000Base-LHA	SMF	LC connector for SFP module	9	1550 nm	2 - 70000 (70km)
1000Base-LHB	SMF	LC connector for SFP module	9	1550 nm	2 - 120000 (120km)
1000Base-LX	Multi-mode Fiber (MMF)	LC connector for SFP module	62.5	500	2 - 550
			50	400	2 - 550
			50	500	2 - 550
			9	1300 nm	2 - 10000
1000Base-SX	MMF	LC connector for SFP module	62.5/125	200	.5 - 275
			62.5/125	500	.5 - 550
			50/125	900	.5 - 595
			50/125	1500	.5 - 740
			50/125	2000	.5 - 860

TABLE 24 Cable length summary (Continued)

	Cable Type	Connector Type	Core Diameter (microns)	Modal Bandwidth (MHz*km) or Wavelength (nm)	Range (meters)
1000Base-T	Copper	RJ-45 jack for standard unshielded twisted pair (UTP or Category 5)	n/a	n/a	up to 100 meters
100Base-BX-U 100Base-BX-D	SMF	LC connector for SFP module	9	1310/1490	10000 (10 km)
100Base-FX	MMF	LC connector for SFP module	62.5	500	up to 2000 (2 km)
100Base-FX-IR	MMF	SC	62.5	125	2 km (1.24 miles)
100Base-FX-LR	SMF	SC	9	125	20 km (12.43 miles)
10GBase-CX4	Infiniband 4x copper	XAUI connector	n/a	n/a	up to 15
10G SFP+	TW NX	SFP	n/a	n/a	up to 15

Power cords

All devices ship with US-compatible power cords unless otherwise specified at the time of order. United Kingdom- and European-compatible power cords are also available.

AC power supply specifications

All devices ship with one removable AC power supply unit with a standard IEC type (IEC320) input connector, operating 100 VAC to 240 VAC input, universal or wide input. [Table 25](#) lists the AC power supply specifications for these devices.

NOTE

For Class 1, 2, or 3 power usage, these devices can support up to 48 ports.

TABLE 25 AC power supply specifications

	Input voltage range	Input current (PSU x 1)	Inrush current	Power draw	Max output power (PSU x1)
PowerConnect B-FCX624s	100 - 240 VAC	1.2 - 2.8 Amps	< 75 Amps peak maximum	93.67 W	210 W
PowerConnect B-FCX648s	100 - 240 VAC	1.2 - 2.8 Amps	< 75 Amps peak maximum	122.62 W	210 W
PowerConnect B-FCX624-E	100 - 240 VAC	1.2 - 2.8 Amps	< 75 Amps peak maximum	57.36 W	210 W
PowerConnect B-FCX624-I	100 - 240 VAC	1.2 - 2.8 Amps	< 75 Amps peak maximum	57.36 W	210 W
PowerConnect B-FCX648-E	100 - 240 VAC	1.2 - 2.8 Amps	< 75 Amps peak maximum	57.36 W	210 W
PowerConnect B-FCX648-I	100 - 240 VAC	1.2 - 2.8 Amps	< 75 Amps peak maximum	57.36 W	210 W

5 Hardware specifications

Troubleshooting

Diagnosing switch indicators

TABLE 26 Troubleshooting chart

Symptom	Action
Power LED is Off	<ul style="list-style-type: none"> Internal power supply is disconnected. Check connections between the switch, the power cord, and the wall outlet. Contact Technical Support.
Power LED is Amber	Internal power supply has failed. Contact Technical Support.
Diag LED is Amber	<ul style="list-style-type: none"> The switch self test has detected a fault. Power cycle the switch to try and clear the condition. If the condition persists, contact Technical Support.
Link LED is Off	<ul style="list-style-type: none"> Verify that the switch and attached device are powered on. Be sure the cable is plugged into both the switch and corresponding device. Verify that the proper cable type is used and its length does not exceed specified limits. Check the adapter on the attached device and cable connections for possible defects. Replace the defective adapter or cable if necessary.

Power and cooling problems

If the power indicator does not turn on when the power cord is plugged in, you may have a problem with the power outlet, power cord, or internal power supply. However, if the unit powers off after running for a while, check for loose power connections, power losses or surges at the power outlet, and verify that the fans on the unit are unobstructed and running prior to shutdown. If you still cannot isolate the problem, then the internal power supply may be defective. In this case, contact Technical Support for assistance.

Installation

Verify that all system components have been properly installed. If one or more components appear to be malfunctioning (such as the power cord or network cabling), test them in an alternate environment where you are sure that all the other components are functioning properly.

In-band access

You can access the management agent in the switch from anywhere within the attached network using Telnet, a Web browser, or other network management software. However, you must first configure the switch with a valid IP address, subnet mask, and default gateway. If you have trouble establishing a link to the management agent, check to see if you have a valid network connection. Then verify that you entered the correct IP address. Also, be sure the port through which you are connecting to the switch has not been disabled. If it has not been disabled, then check the network cabling that runs between your remote location and the switch.

Regulatory Statements

USA (FCC CFR 47 Part 15 Warning)

This equipment has been tested and found to comply with the limits for a Class A digital device pursuant to Part 15 of the FCC Rules. These limits are designed to provide reasonable protection against harmful interference when the equipment is operated in a commercial environment. This equipment generates, uses, and can radiate radio frequency energy and, if not installed and used in accordance with the instruction manual, may cause harmful interference to radio communications. Operation of this equipment in a residential area is likely to cause harmful interference in which case the user will be required to correct the interference at his own expense.



CAUTION

Changes or modifications made to this device which are not expressly approved by Dell could void the user's authority to operate the equipment.

Industry Canada statement

Cet appareil numérique de la classe A est conforme à la norme NMB-003 du Canada.

English Translation of above statement

This Class A digital apparatus complies with Canadian ICES-003.

Europe and Australia (CISPR 22 Class A Warning)

This is a Class A product. In a domestic environment this product may cause radio interference in which case the user may be required to take adequate measures.

Japan (VCCI)

この装置は、情報処理装置等電波障害自主規制協議会（VCCI）の基準に基づくクラス A 情報技術装置です。この装置を家庭環境で使用すると電波妨害を引き起こすことがあります。この場合には使用者が適切な対策を講ずるよう要求されることがあります。

A Japan power cord

English translation of above statement

This is Class A product based on the standard of the Voluntary Control Council For Interference by Information Technology Equipment (VCCI). If this equipment is used in a domestic environment, radio disturbance may arise. When such trouble occurs, the user may be required to take corrective actions.

Japan power cord



注意 - 添付の電源コードを他の装置や用途に使用しない

添付の電源コードは本装置に接続し、使用することを目的として設計され、その安全性が確認されているものです。決して他の装置や用途に使用しないでください。火災や感電の原因となる恐れがあります。

English translation of above statement

ATTENTION: Never use the power cord packed with your equipment for other products.

Korea

Class A statement

A 급 기기 (업무용 방송통신기기): 이 기기는 업무용 (A 급) 으로 전자파적합등록을 한 기기이오니 판매자 또는 사용자는 이 점을 주의하시기 바라며, 가정외의 지역에서 사용하는 것을 목적으로 합니다.

English Translation of Above Statement

Class A device (Broadcasting Communication Device for Office Use): This device obtained EMC registration for office use (Class A), and may be used in places other than home. Sellers and/or users need to take note of this.

Russia

Сертификат Соответствия в "Системе сертификации в области связи" № ОС-2-СПД-0560, срок действия: с 29 октября 2009 г. до 29 октября 2012 г.

English translation of above statement

Certificate of Conformity in "Certification System in the field of telecommunications" # OC-2-CPA-0560, validity from the 29 of October 2009 to the 29 of October 2012.

Regulatory compliance

Table 27 lists the Electromagnetic Compatibility (EMC), Immunity standards, and safety agency approvals for the PowerConnect B-FCX family of switches.

TABLE 27 Regulatory Compliance and Safety Approvals

Certifications

Emissions:

- ICES-003, Electromagnetic Emission
- FCC Part 15 Class A
- EN 55022/CISPR 22 Class A
- VCCI Class A
- EN 61000-3-2, Power Line Harmonics
- EN 61000-3-3, Voltage Fluctuation & Flicker
- EN 61000-6-3, Electromagnetic Compatibility, Generic Standard
- AS or NZS CISPR 22, Electromagnetic Compatibility

Immunity:

- EN 61000-6-1, Electromagnetic Compatibility, Generic Standard
- EN 55024, Information Technology equipment - Immunity Characteristics

Safety:

- BI-NAT-CSA 60950-1-07/UL 60950-1-07
 - EN 60950-1:2006 +A11:2009
 - IEC 60950-1:2005
-

A Regulatory compliance

Cautions and Danger Notices

Cautions

A caution calls your attention to a possible hazard that can damage equipment.

“Vorsicht” weist auf die Gefahr einer möglichen Beschädigung des Gerätes in.

Une mise en garde attire votre attention sur un risque possible d'endommagement de l'équipement. Ci-dessous, vous trouverez les mises en garde utilisées dans ce manuel.

Un mensaje de precaución le advierte sobre un posible peligro que pueda dañar el equipo. Las siguientes son precauciones utilizadas en este manual.

CAUTION	Do not install the device in an environment where the operating ambient temperature might exceed 40° C (104° F).
VORSICHT	Das Gerät darf nicht in einer Umgebung mit einer Umgebungsbetriebstemperatur von über 40° C (104° F) installiert werden.
MISE EN GARDE	N'installez pas le dispositif dans un environnement où la température d'exploitation ambiante risque de dépasser 40° C (104° F).
PRECAUCIÓN	No instale el instrumento en un entorno en el que la temperatura ambiente de operación pueda exceder los 40° C (104° F).

CAUTION	Make sure the air flow around the front, sides, and back of the device is not restricted.
VORSICHT	Stellen Sie sicher, dass an der Vorderseite, den Seiten und an der Rückseite der Luftstrom nicht behindert wird.
MISE EN GARDE	Vérifiez que rien ne restreint la circulation d'air devant, derrière et sur les côtés du dispositif et qu'elle peut se faire librement.
PRECAUCIÓN	Asegúrese de que el flujo de aire en las inmediaciones de las partes anterior, laterales y posterior del instrumento no esté restringido.

CAUTION	Use a separate branch circuit for each AC power cord, which provides redundancy in case one of the circuits fails.
VORSICHT	Es empfiehlt sich die Installation eines separaten Stromkreisweiges für jede Wechselstrom-Elektroschnur als Redundanz im Fall des Ausfalls eines Stromkreises.
MISE EN GARDE	Utilisez un circuit de dérivation différent pour chaque cordon d'alimentation C.A. Ainsi, il y aura un circuit redondant en cas de panne d'un des circuits.
PRECAUCIÓN	Use un circuito derivado separado para cada cordón de alimentación de CA, con lo que se proporcionará redundancia en caso de que uno de los circuitos falle.

B Cautions

CAUTION	Ensure that the device does not overload the power circuits, wiring, and over-current protection. To determine the possibility of overloading the supply circuits, add the ampere (amp) ratings of all devices installed on the same circuit as the device. Compare this total with the rating limit for the circuit. The maximum ampere ratings are usually printed on the devices near the input power connectors.
VORSICHT	Stromkreise, Verdrahtung und Überlastschutz dürfen nicht durch das Gerät überbelastet werden. Addieren Sie die Nennstromleistung (in Ampere) aller Geräte, die am selben Stromkreis wie das Gerät installiert sind. Somit können Sie feststellen, ob die Gefahr einer Überbelastung der Versorgungsstromkreise vorliegt. Vergleichen Sie diese Summe mit der Nennstromgrenze des Stromkreises. Die Höchstnennströme (in Ampere) stehen normalerweise auf der Geräterückseite neben den Eingangsstromanschlüssen.
MISE EN GARDE	Assurez-vous que le dispositif ne risque pas de surcharger les circuits d'alimentation, le câblage et la protection de surintensité. Pour déterminer le risque de surcharge des circuits d'alimentation, additionnez l'intensité nominale (ampères) de tous les dispositifs installés sur le même circuit que le dispositif en question. Comparez alors ce total avec la limite de charge du circuit. L'intensité nominale maximum en ampères est généralement imprimée sur chaque dispositif près des connecteurs d'entrée d'alimentation.
PRECAUCIÓN	Verifique que el instrumento no sobrecargue los circuitos de corriente, el cableado y la protección para sobrecargas. Para determinar la posibilidad de sobrecarga en los circuitos de suministros, añada las capacidades nominales de corriente (amp) de todos los instrumentos instalados en el mismo circuito que el instrumento. Compare esta suma con el límite nominal para el circuito. Las capacidades nominales de corriente máximas están generalmente impresas en los instrumentos, cerca de los conectores de corriente de entrada.

CAUTION	Use the erase startup-config command only for new systems. If you enter this command on a system you have already configured, the command erases the configuration. If you accidentally do erase the configuration on a configured system, enter the write memory command to save the running configuration to the startup-config file.
VORSICHT	Verwenden Sie den Befehl " Erase startup-config " (Löschen Startup-Konfig) nur für neue Systeme. Wenn Sie diesen Befehl in ein bereits konfiguriertes System eingeben, löscht der Befehl die Konfiguration. Falls Sie aus Versehen die Konfiguration eines bereits konfigurierten Systems löschen, geben Sie den Befehl "Write Memory" (Speicher schreiben) ein, um die laufende Konfiguration in der Startup-Konfig-Datei zu speichern.
MISE EN GARDE	N'utilisez la commande erase startup-config que pour les nouveaux systèmes. Si vous entrez cette commande sur un système que vous avez déjà configuré, elle efface la configuration. Si vous effacez la configuration par accident sur un système configuré, entrez la commande write memory pour enregistrer la configuration actuelle dans le fichier startup-config.
PRECAUCIÓN	Use el comando erase startup-config (borrar configuración de inicio) para sistemas nuevos solamente. Si usted introduce este comando en un sistema que ya ha configurado, el comando borrará la configuración. Si usted borra accidentalmente la configuración en un sistema ya configurado, introduzca el comando write memory (escribir memoria) para guardar la configuración en ejecución en el archivo startup-config.

CAUTION	Never leave tools inside the chassis.
VORSICHT	Lassen Sie keine Werkzeuge im Chassis zurück.
MISE EN GARDE	Ne laissez jamais d'outils à l'intérieur du châssis.
PRECAUCIÓN	No deje nunca herramientas en el interior del chasis.

CAUTION	Changes or modifications made to this device that are not expressly approved by the party responsible for compliance could void the user's authority to operate the equipment.
VORSICHT	Falls dieses Gerät verändert oder modifiziert wird, ohne die ausdrückliche Genehmigung der für die Einhaltung der Anforderungen verantwortlichen Partei einzuholen, kann dem Benutzer der weitere Betrieb des Gerätes untersagt werden.
MISE EN GARDE	Les éventuelles modifications apportées à cet équipement sans avoir été expressément approuvées par la partie responsable d'en évaluer la conformité sont susceptibles d'annuler le droit de l'utilisateur à utiliser cet équipement.
PRECAUCIÓN	Si se realizan cambios o modificaciones en este dispositivo sin la autorización expresa de la parte responsable del cumplimiento de las normas, la licencia del usuario para operar este equipo puede quedar anulada.

Danger notices

A danger notification calls your attention to a possible hazard that can cause injury or death. The following are the warnings used in this manual.

"Gefahr" weist auf eine mögliche Gefährdung hin, die zu Verletzungen oder Tod führen können. Sie finden die folgenden Warnhinweise in diesem Handbuch:

Un danger attire votre attention sur un risque possible de blessure ou de décès. Ci-dessous, vous trouverez les avertissements utilisés dans ce manuel.

B Danger notices

Una señal de peligro le llama la atención sobre cualquier posible peligro que pueda ocasionar daños personales o la muerte. A continuación se dan las advertencias utilizadas en este manual.

DANGER	The procedures in this manual are for qualified service personnel.
GEFAHR	Die Verfahren in diesem Handbuch sind nur für qualifiziertes Wartungspersonal gedacht.
DANGER	Les procédures décrites dans ce manuel doivent être effectuées par le personnel de service qualifié uniquement.
PELIGRO	Los procedimientos de este manual se han hecho para personal de servicio cualificado.

DANGER	Before beginning the installation, see the precautions in "Power precautions" on page 17.
GEFAHR	Vor der Installation siehe Vorsichtsmaßnahmen unter " Power Precautions " (Vorsichtsmaßnahmen in Bezug auf elektrische Ablagen) auf den Seiten 3-4.
DANGER	Avant de commencer l'installation, consultez les précautions décrites dans " Power Precautions " (Précautions quant à l'alimentation), pages 3-4.
PELIGRO	Antes de comenzar la instalación, consulte las precauciones en la sección " Power Precautions" (Precauciones sobre corriente) que se encuentra en las páginas 3-4.

DANGER	All fiber optic interfaces use Class 1 lasers.
GEFAHR	Alle Glasfaser-Schnittstellen verwenden Laser der Klasse 1.
DANGER	Toutes les interfaces en fibres optiques utilisent des lasers de classe 1.
PELIGRO	Todas las interfaces de fibra óptica utilizan láser de clase 1.

DANGER	Make sure the rack or cabinet housing the device is adequately secured to prevent it from becoming unstable or falling over.
GEFAHR	Stellen Sie sicher, dass das Gestell oder der Schrank für die Unterbringung des Geräts auf angemessene Weise gesichert ist, so dass das Gestell oder der Schrank nicht wackeln oder umfallen kann.
DANGER	Vérifiez que le bâti ou le support abritant le dispositif est bien fixé afin qu'il ne devienne pas instable ou qu'il ne risque pas de tomber.
PELIGRO	Verifique que el bastidor o armario que alberga el instrumento está asegurado correctamente para evitar que pueda hacerse inestable o que caiga.

DANGER	Mount the devices you install in a rack or cabinet as low as possible. Place the heaviest device at the bottom and progressively place lighter devices above.
GEFAHR	Montieren Sie die Geräte im Gestell oder Schrank so tief wie möglich. Platzieren Sie das schwerste Gerät ganz unten, während leichtere Geräte je nach Gewicht (je schwerer desto tiefer) darüber untergebracht werden.
DANGER	Montez les dispositifs que vous installez dans un bâti ou support aussi bas que possible. Placez le dispositif le plus lourd en bas et le plus léger en haut, en plaçant tous les dispositifs progressivement de bas en haut du plus lourd au plus léger.
PELIGRO	Monte los instrumentos que instale en un bastidor o armario lo más bajos posible. Ponga el instrumento más pesado en la parte inferior y los instrumentos progresivamente más livianos más arriba.

DANGER	Disconnect the power cord from all power sources to completely remove power from the device.
GEFAHR	Ziehen Sie das Stromkabel aus allen Stromquellen, um sicherzustellen, dass dem Gerät kein Strom zugeführt wird.
DANGER	Débranchez le cordon d'alimentation de toutes les sources d'alimentation pour couper complètement l'alimentation du dispositif.
PELIGRO	Para desconectar completamente la corriente del instrumento, desconecte el cordón de corriente de todas las fuentes de corriente.

DANGER	If the installation requires a different power cord than the one supplied with the device, make sure you use a power cord displaying the mark of the safety agency that defines the regulations for power cords in your country. The mark is your assurance that the power cord can be used safely with the device.
GEFAHR	Falls für die Installation ein anderes Stromkabel erforderlich ist (wenn das mit dem Gerät gelieferte Kabel nicht passt), müssen Sie sicherstellen, dass Sie ein Stromkabel mit dem Siegel einer Sicherheitsbehörde verwenden, die für die Zertifizierung von Stromkabeln in Ihrem Land zuständig ist. Das Siegel ist Ihre Garantie, dass das Stromkabel sicher mit Ihrem Gerät verwendet werden kann.
DANGER	Si l'installation nécessite un cordon d'alimentation autre que celui fourni avec le dispositif, assurez-vous d'utiliser un cordon d'alimentation portant la marque de l'organisation responsable de la sécurité qui définit les normes et réglementations pour les cordons d'alimentation dans votre pays. Cette marque vous assure que vous pouvez utiliser le cordon d'alimentation avec le dispositif en toute sécurité.
PELIGRO	Si la instalación requiere un cordón de corriente distinto al que se ha suministrado con el instrumento, verifique que usa un cordón de corriente que venga con la marca de la agencia de seguridad que define las regulaciones para cordones de corriente en su país. Esta marca será su garantía de que el cordón de corriente puede ser utilizado con seguridad con el instrumento.

DANGER	For safety reasons, the ESD wrist strap should contain a series 1 meg ohm resistor.
GEFAHR	Aus Sicherheitsgründen sollte ein EGB-Armband zum Schutz von elektronischen gefährdeten Bauelementen mit einem 1 Megaohm-Reihenwiderstand ausgestattet sein.
DANGER	Pour des raisons de sécurité, la dragonne ESD doit contenir une résistance de série 1 méga ohm.
PELIGRO	Por razones de seguridad, la correa de muñeca ESD deberá contener un resistor en serie de 1 mega ohmio.

B Danger notices